

OVERVIEW

High Center Beam Pendant Cord Cylinder

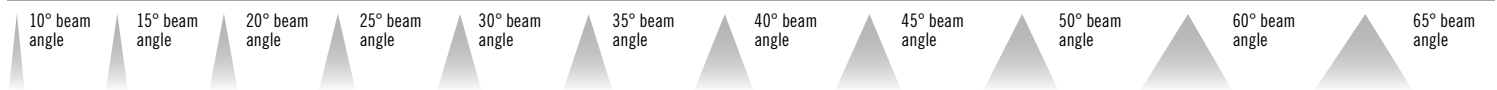
4"



Feature Set

- Eleven optimized distribution patterns allow designers to achieve tailored objectives
- Bounding Ray™ optical design
- 45° cutoff to source and source image
- Fully serviceable lensed LED light engine
- Fixtures are damp location standard; wet location option (WL)
- Have the cleanest of installations with a 0.29" diameter color coordinated cord. Multi-conductor ultra-pliable cord with embedded aircraft cable ensures no chance of kinks, crooked mounting, or need to tether power cord to suspension cable (patent pending).
- Multiple recessed or surface j-box mounting configurations available with cords
- 20 standard colors in textured and gloss finish; custom or RAL colors also available
- UGR of zero for fixtures aimed at nadir with a cut-off equal to or less than 60deg per CIE 117-1995 Discomfort Glare in Interior Lighting. [UGR FAQ](#)

Distribution



Superior Performance

Nominal Lumens	500	700	1000	1200	1500	2000	2500	3000	3500	4000	4500	5000
Delivered	703	807	1062	1326	1545	1977	2419	2920	3548	3982	4419	4848
Wattage	6.7	7.5	9.8	12.2	15.1	21.5	26.5	34.1	33.8	39.5	46.2	53.2
Efficacy	104	108	108	108	102	92	91	86	105	101	96	91

COMPLEMENTARY PRODUCTS

Coordinated Apertures | Multiple Layers of Light



General Illumination Layer | EVO



High Center Beam Layer | Incito



EVO + Incito — Multiple Layers of Light

Core



Healthcare



Special Applications



ORDERING INFORMATION

Luminaire Type:

Catalog Number:

EXAMPLE: IC04CC 35/15 AR LSS 35D MVOLT EZ1 JBXCC CCAN C120 DWHG

Series	Color Temperature	Lumens	Reflector Color	Reflector Finish	Beam	Voltage
IC04CC Incito 4in Pendant Cord Round Cylinder Open Downlight	27/ 2700 K	05 500 lumens	AR Clear	LSS Semi-specular	10D ³ 10° beam angle	MVOLT 120V - 277V
	30/ 3000 K	07 750 lumens	PR Pewter	LD Matte diffuse	15D 15° beam angle	120 120V
	35/ 3500 K	10 1000 lumens	WTR Wheat	LS Specular	20D 20° beam angle	277 277V
	40/ 4000 K	15 1500 lumens	GR Gold		25D 25° beam angle	347 ⁴ 347V
	50/ 5000 K	20 2000 lumens	WR ¹ White painted		30D 30° beam angle	
		25 2500 lumens	BR ¹ Black		35D 35° beam angle	
		30 3000 lumens	WRAMF ¹ White Anti-microbial		40D 40° beam angle	
		35 3500 lumens	BZR ¹ Dark Bronze painted		45D 45° beam angle	
		40 4000 lumens	TRALTBD ^{1,2} Trim RAL # TBD (TBD for pricing only)		50D 50° beam angle	
		45 4500 lumens	TCPC ^{1,2} Trim Custom Paint Color TBD (TBD for pricing only)		60D 60° beam angle	
		50 5000 lumens			65D 65° beam angle	

Driver ⁵	Mounting	Canopy Type	Cord Length ^{12,13}
GZ10 0-10V driver dims to 10%	JBX Integral driver, Recessed or Surface J-box JBXCC Integral driver, Surface J-box with Conduit Covers SGB ⁹ Surface gear box (for driver at ceiling), Recessed or surface J-box (not wall or surface ceiling) SGBCC ⁹ Surface gear box (for driver at ceiling), surface J-box with Conduit Covers (not wall or surface ceiling) RGH ¹⁰ Recessed Gear Housing	CCAN 5° Cord canopy with "hang straight" swivel	C120 10' Mounting Cord
GZ1 0-10V driver dims to 1%			C180 15' Mounting Cord
EZ10 eldoLED 0-10V ECOdrive. Linear dimming to 10% min.		CCAN45 ¹¹ 45° Cord canopy with "hang straight" swivel	C240 20' Mounting Cord
EZ1 eldoLED 0-10V ECOdrive. Linear dimming to 1% min.			
EZB eldoLED 0-10V SOLOdrive. Logarithmic dimming to <1%.			
EDAB ⁶ eldoLED SOLOdrive DALI. Logarithmic dimming to <1%.			
EDXB ^{6,7,8} eldoLED POWERdrive DMX with RDM (remote device management). Square Law dimming to <1%. Min: 1000LM; Max: 4000LM			
ECOS2 ⁶ Lutron® Hi-Lume® 2-wire forward-phase driver. 120V Only. Minimum dimming level 1%. Min: 1000LM; Max: 2000LM.			
ECOD ⁶ Lutron® EcoSystem® digital Hi-Lume 1% soft-on, fade to black. Max: 4000LM.			
ELV ⁶ Electronic line voltage/Forward phase/Triac dimming. 120V only.			

Emergency Option	Control Interface ¹⁴	Options	Architectural Colors - Powder Paint ²
(blank) No emergency options	(blank) No controls	90CRI High CRI (90+)	DWHAMF Gloss White with Anti-microbial finish
E7WCP IOTA® 7W Constant Power emergency battery (sidecar). Only for use with 750-3000 lumen options. Not available with 1500 & 2000 lumen options.	NLT nLight® dimming pack. Specify 120V or 277V	CP ¹⁶ Chicago Plenum. Specify 120V or 277V (requires RGH)	DBB Gloss Dark Bronze
E10WCP IOTA® 10W Constant Power, CA Title 20 compliant emergency battery pack with integral test switch. Only for use with 1000-5000 lumen options. (sidecar or RGH)	NLTER ¹⁵ nLight® dimming pack for fixtures on emergency circuit. Specify 120V or 277V	HAO ¹⁷ High Ambient Option (40°C)	DBL Matte Black
E10WCPR IOTA® 10W Constant Power, CA Title 20 compliant emergency battery pack with remote test switch. Only for use with 1000-5000 lumen options. (requires RGH)	NLTAIR2 nLight® AIR dimming pack. Specify 120V or 277V	N80 ¹⁸ nLight Lumen Compensation	DWH Gloss White
E15WCP IOTA® 15W Constant Power, CA Title 20 compliant emergency battery. Only for use with 1500-5000 lumen options. (sidecar)	NLTAIRER2 ¹⁵ nLight® AIR dimming pack for fixtures on emergency circuit. Specify 120V or 277V	SF Single fuse. Specify 120V or 277V.	DMB Matte Medium Bronze
GTD IOTA® Generator Transfer Device. Specify 120V or 277V (requires RGH)		WL ¹⁹ Wet Location	DNA Gloss Natural Aluminum
			DSS Gloss Sandstone
			DGC Gloss Charcoal Grey
			DTG Gloss Tennis Green
			DBR Gloss Bright Red
			DSB Gloss Steel Blue
			DDBT Textured Dark Bronze
			DBLB Textured Black
			DWHG Textured White
			DBNH Textured Bronze
			DNAT Textured Natural Aluminum
			DSST Textured Sandstone
			DSPD Textured Dark Grey
			DSPE Textured Green
			DSPH Textured Light Red
			RALTBD Cylinder RAL # TBD (TBD for pricing only)
			CPC Cylinder Custom Paint Color TBD (TBD for pricing only)

ACCESSORIES — order as separate catalog numbers (shipped separately)

G COLORS KIT	Architectural colors chip kit, consisting of powder-coat and plated finishes
OPTC4 XXD	Additional optics for field installation. Replace "XX" with beam angle.
CYLJBXADPT 4SQ2OCT ___	4in Square J-box to 4in Octagonal J-box adaptor. Replace ___ with Architectural Color or PRM for primed ready for field painting

ORDERING NOTES

1. Not Available with Reflector Finishes.
2. Replace with applicable RAL number and finish when ready to order. See [RAL BROCHURE](#) for available color options. For details on all Acuity Architectural paint colors, RAL and Custom colors, please see [Architectural Colors](#).
3. Only available 1500lm and below.
4. Factory supplied step down transformer must be remote mounted. Access required to location of remote mounted device.
5. Refer to [Tech 240](#) for compatible dimmers.
6. Not Available with Control Interfaces.
7. Requires SGB or SGBCC mounting option.
8. Includes terminator resistor. Not available with 250-750 lumen packages.
9. Only available with DMX driver (EDXB).
10. Not available with E7W or E15WCP Emergency Options.
11. Not available with SGB or SGBCC: those mountings require a flat ceiling.
12. Cord can be cut in field to achieve non-uniform lengths (i.e. for a field cut 8' length, order 10' cord). Cord length is nominal: actual length is about 2" shorter.
13. Cord color is determined by cylinder color: DWHG, DWH, and DWHAMF will have white cord; DBL and DBLB will have black cord; all others will have gray cord.
14. Factory installed with RGH option otherwise field installed. Access required to location of remote mounted device.
15. ER for use as UL924 Emergency Operation via power sense lead. Will require an emergency hot feed and normal hot feed. EM for use as UL924 Emergency Operation via power interrupt detection.
16. CP not available with NLTAIR2, NLTAIRER2 or E10WCPR options.
17. Only available up to 2500 lumens; not available with wet location.
18. Fixture begins at 80% light level. Must be specified with NLT or NLTER. Only available with EZ10 and EZ1 drivers.
19. Not available with JBXCC, SGB, or SGBCC. Max: 2500LM.

Optical Assembly

Fully serviceable and upgradeable lensed LED light engine suitable for field maintenance or service from below the ceiling. Optical design is a Bounding Ray™ design with 45° cutoff to source and source image. Top down flash characteristic for superior glare control.

Electrical

The luminaire shall operate from a 50 or 60 Hz ±3 Hz AC line over a voltage ranging from 120 VAC to 277 VAC. Support 347V via remote-mounted stepdown transformer. The fluctuations of line voltage shall have no visible effect on the luminous output.

The luminaire shall have a power factor of 90% or greater at all standard operating voltages and full luminaire output.

Sound Rated A+. Driver shall be >80% efficient at full load across all input voltages.

Input wires shall be 18AWG, 300V minimum solid copper.

All drivers are ROHS compliant.

Controls

Luminaire shall be equipped with interface for nLight wired or nLight AIR networks with integral power supply as per specification.

Emergency

Luminaires supplied with a battery pack comply with NFPA 101 (Life Safety code) and deliver constant light output throughout the 90 minutes of code required emergency operation period when there is a normal AC power loss.

Luminaires equipped with a generator transfer device work in conjunction with an auxiliary generator or a central inverter system to power fixtures for safe egress lighting.

Dimming

The luminaire shall be capable of continuous dimming without perceivable stroboscopic flicker as measured by flicker index (ANSI/IES RP-16-10) over a range of 100 – 10%, 100 – 1.0% or 100 – 0.1% of rated lumen output with a smooth shut off function to step to 0%.

elddLED LED drivers shall conform to IEEE P1789 standards. Alternatively, manufacturers must demonstrate conformance with product literature and testing which demonstrates this performance. Systems that do not meet IEEE P1789 will not be considered.

Driver is inaudible in 24dB environment, and stable when input voltage conditions fluctuate over what is typically experienced in a commercial environment.

Construction

Heaving-gauge aluminum construction. Extruded cylinder body with flangeless reflector allows flow-through passive thermal management. Canopy matches cylinder in finish and diameter.

Pendant cord mount for installation to 4" recessed or surface octagonal junction box with integral driver.

Recessed gear box available for driver above ceiling, nLight, battery pack, CP, and GTD options.

Surface gear box available for driver at ceiling installation.

Optional field configurable conduit covers available. Conduit covers match cylinder in finish and diameter.

Listings

Fixtures are CSA Certified to meet US and Canadian Standards: All fixtures manufactured in strict accordance with the appropriate and current requirements of the "Standards for Safety" to UL, damp location standard; wet location covered ceiling optional (WL).

Photometrics

LEDs tested to LM-80 standards. Measured by IESNA Standard LM-79-08 in an accredited lab. Lumen output shall not decrease by more than 30% over the minimum operational life of 60,000 hours.

Color appearance from luminaire to luminaire of the same type and in all configurations, shall be consistent both initially and at 6,000 hours and operate within a tolerance of <2.5 MacAdam ellipse as defined by the center of the quadrangles defined in ANSI C78.377-2015.

Government Procurement

BAA - Buy America(n) Act: Product qualifies as a domestic end product under the Buy American Act as implemented in the FAR and DFARS. Product also qualifies as manufactured in the United States under DOT Buy America regulations

BABA - Build America Buy America: Product qualifies as produced in the United States under the definitions of the Build America, Buy America Act Please refer to www.acuitybrands.com/buy-american for additional information.

Warranty

5-year limited warranty. This is the only warranty provided and no other statements in this specification sheet create any warranty of any kind. All other express and implied warranties are disclaimed. Complete warranty terms located at: www.acuitybrands.com/support/warranty/terms-and-conditions

Note:

Actual performance may differ as a result of end user environment and application. All values are design or typical values, measured under laboratory conditions at 25 °C.

A+ Capable Luminaire

This item is an A+ capable luminaire, which has been designed and tested to provided consistent color appearance and out-of-the-box control capability with simple commissioning when used with Acuity Brands controls products.

All configurations of this luminaire are calibrated and tested meet the Acuity Brands' specification for chromatic consistency - including color rendering, color fidelity and color temperature tolerance around standard CIE chromaticity coordinates.

To learn more about A+, visit www.acuitybrands.com/aplus.

Tables of Use

ICO - eldoLED Driver Default Dimming Curve			
Nomenclature	Min Dimming	Driver Dim Curve	Control Dim Curve
EZ10	10%	Linear	Linear/Logarithmic
EZ1	1%	Linear	Linear/Logarithmic
EZB	<1%	Logarithmic	Linear
EDAB	<1%	Logarithmic*	Linear
EDXB	<1%	Square	Linear

*Changable through DALI controller

Control Provided (note: 347V/UVOLT versions provided with 347 option selected)					
Driver		NLT	NLTER	NLTAIR2	NLTAIRER2
Nomenclature	Description				
GZ10	0-10V driver dims to 10%	nPP16 D EFP	nPP16 D ER EFP	RPP20 D 24V G2	RPP20 D 24V ER G2
GZ1	0-10V driver dims to 1%	nPP16 D EFP	nPP16 D ER EFP	RPP20 D 24V G2	RPP20 D 24V ER G2
EZ10	eldoLED 0-10V ECOdrive	nPS 80 EZ	nPS 80 EZ ER	RPP20 D 24V G2	RPP20 D 24V ER G2
EZ1	eldoLED 0-10V ECOdrive	nPS 80 EZ	nPS 80 EZ ER	RPP20 D 24V G2	RPP20 D 24V ER G2
EZB	eldoLED 0-10V SOLOdrive	nPS 80 EZ	nPS 80 EZ ER	RPP20 D 24V G2	RPP20 D 24V ER G2

J-box Compatibility Matrix		Cylinder Configurations					
		JBX	SGB	SGBCC	SGB w/EDXB Driver	SGBCC w/EDXB Driver	JBXCC
Recommended J-box (by others)	4" Octagonal 4x4x1.5 deep*	✓	✓	✓	✓	✓	✓
	4" Octagonal 4x4x2.125 deep	✓	✓	✗	✓	✗	✗
	4" Square 4x4x1.5 deep	✓ *with adaptor plate accessory	✓ *with adaptor plate accessory	✗	✓ *with adaptor plate accessory	✗	✗

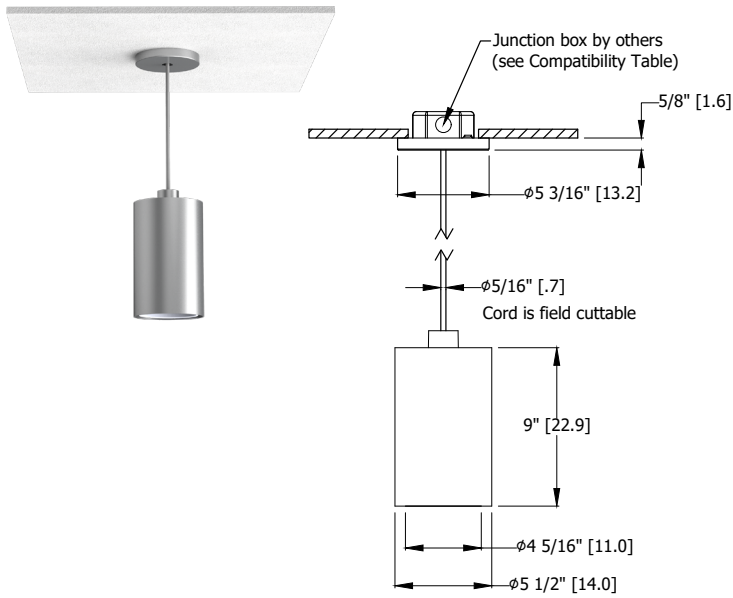
Standard Architectural Color Options for Cylinder Bodies



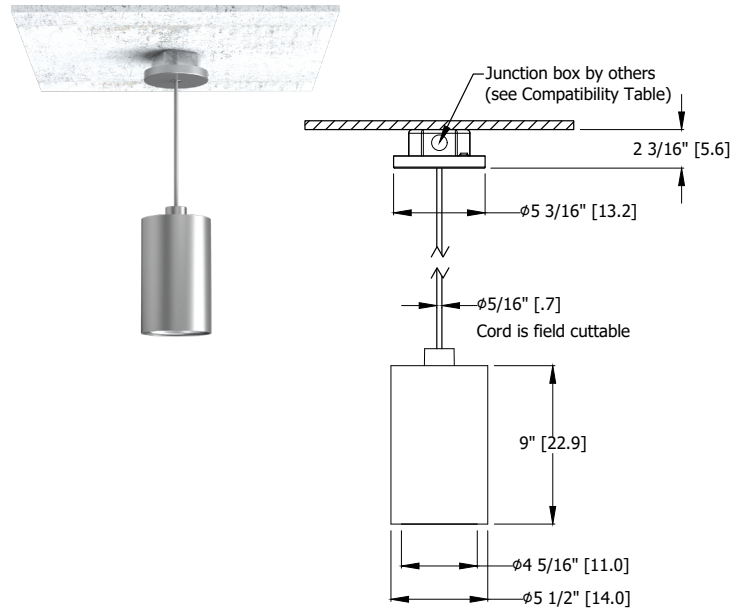
NOTE: These colors were carefully reproduced to give as true a depiction as possible of finished product color. Some colors, however, may vary slightly from actual appearance due to display/printing variations and limitations. Please order the GCOLORS KIT listed in the 'Accessories' section of the spec sheet for an accurate paint chip sample.

DIMENSIONAL DATA

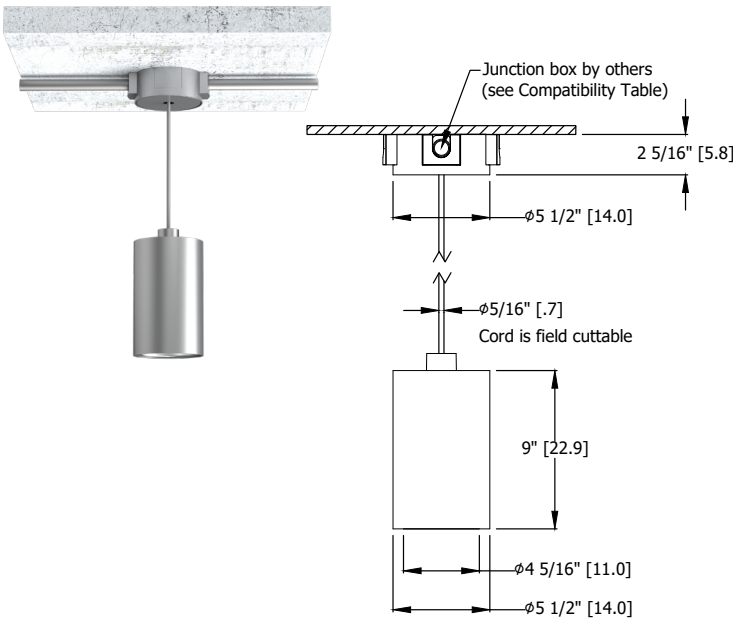
JBX Recessed J-Box



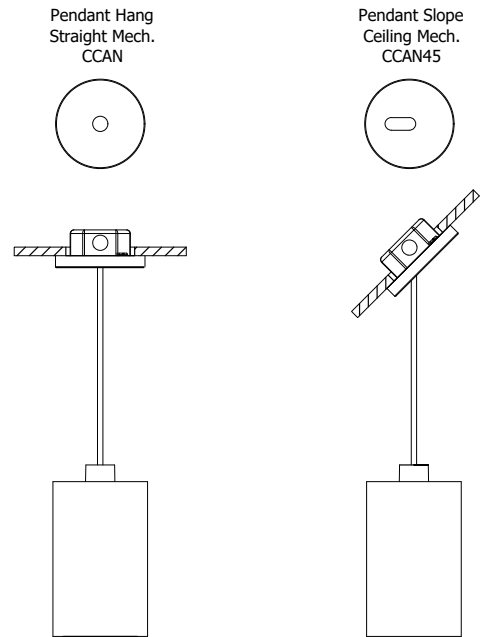
JBX Surface J-Box



JBXCC Surface J-Box with Conduit Covers



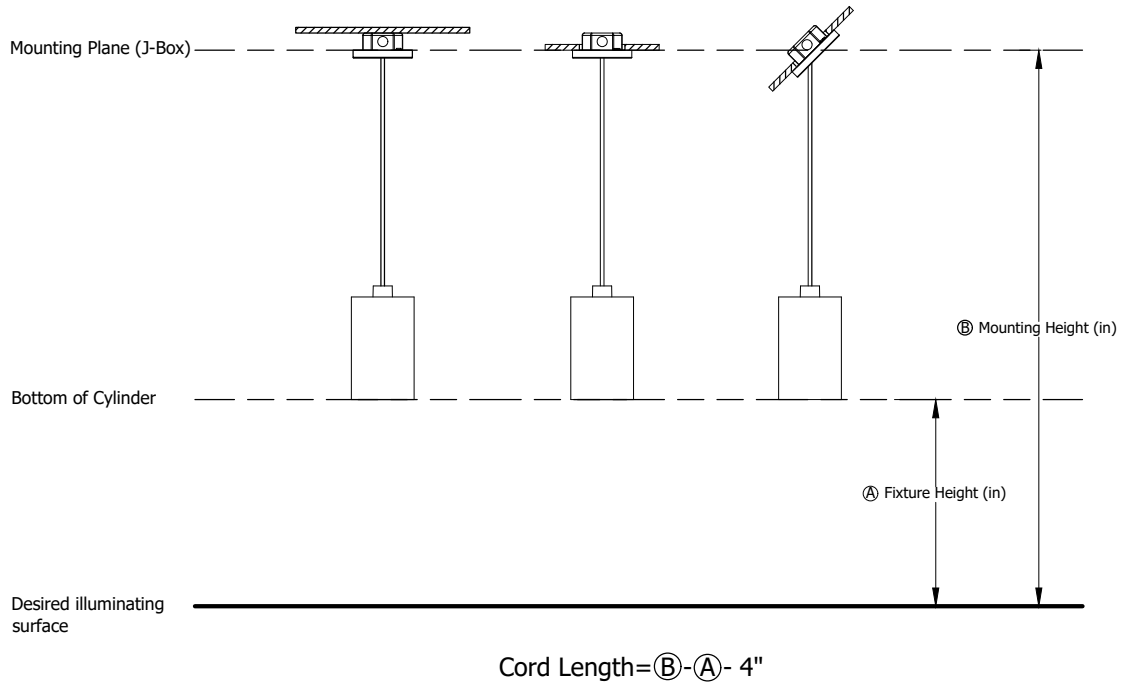
Canopy Covers for Flat or Sloped Ceilings



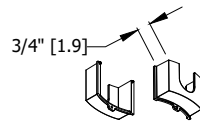
*Dimensions in inches [centimeters]

DIMENSIONAL DATA

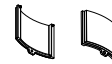
Stem Cutting Formulas for JBX



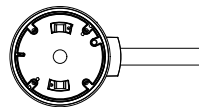
Conduit Feed Examples and Keys



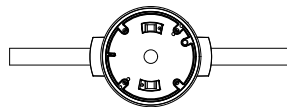
Conduit Key
(4) provided with each,
for use with 1/2" or 3/4" conduit



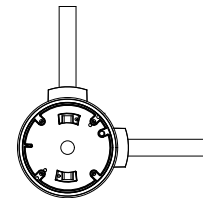
Blank Key
(4) provided with each



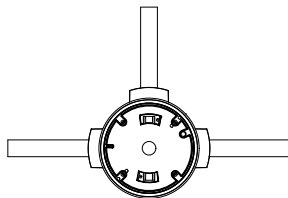
Single Conduit Feed



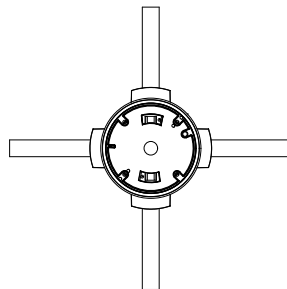
Double 180° conduit



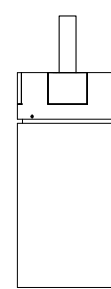
Double 90° conduit



Triple 0°, 90° & 180° conduit



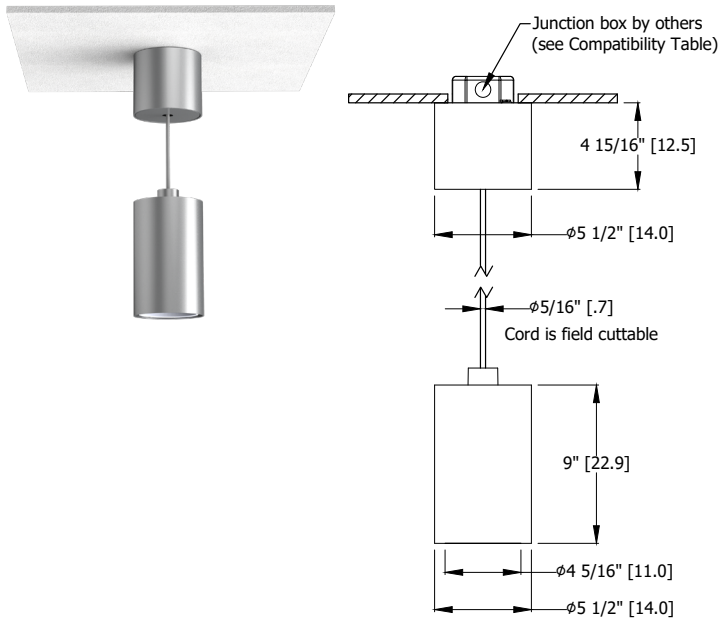
Quad 0°, 90°, 180°, & 270° conduit



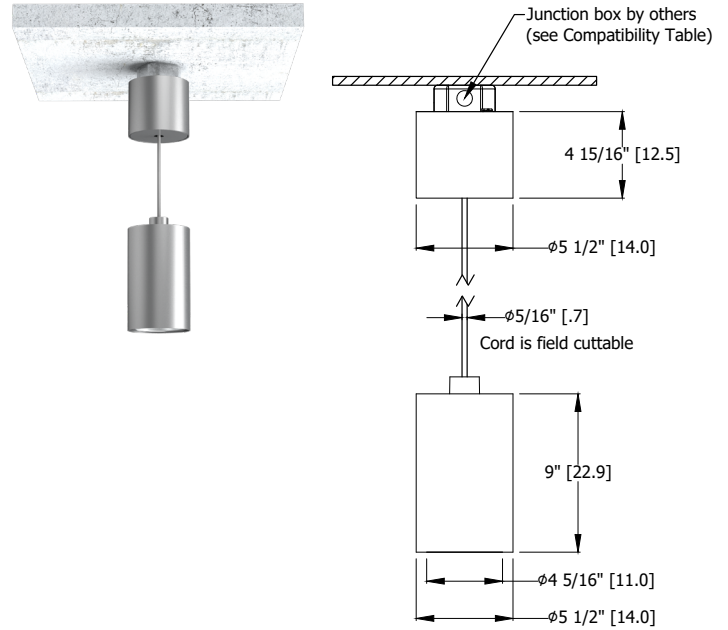
Top conduit feed

DIMENSIONAL DATA

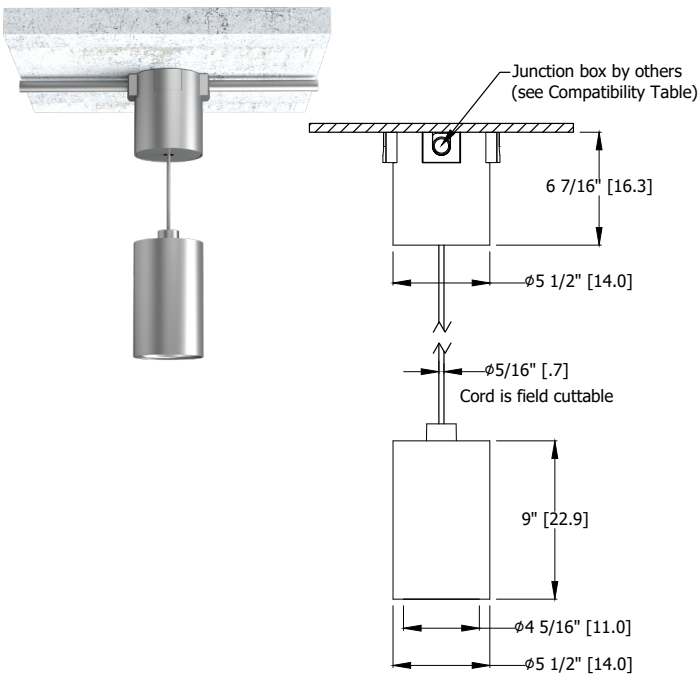
SGB Surface Gear Box for EDXB_Recessed J-Box



JBX Surface J-Box



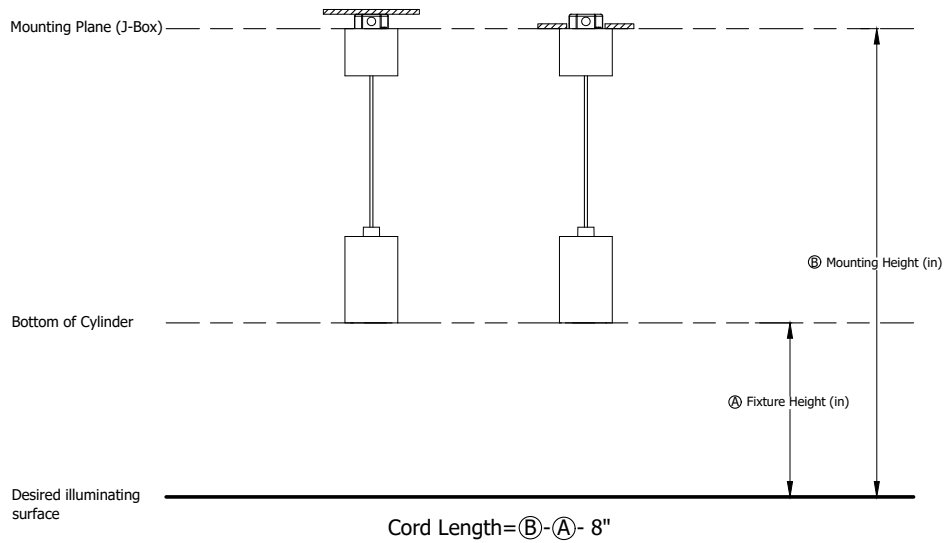
SGBCC Surface Gear Box for EDXB with Conduit Covers



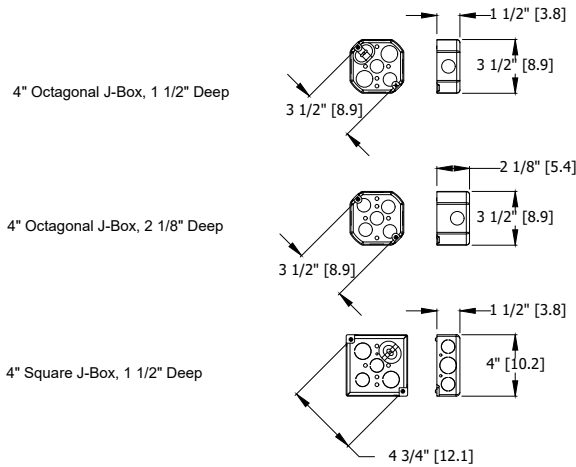
*Dimensions in inches [centimeters]

DIMENSIONAL DATA

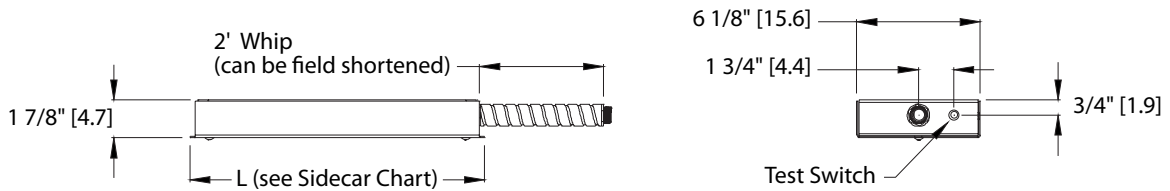
Cutting Formulas for SGB



Junction Box Dimensions (by others)



Emergency Battery Sidecar Dimensions

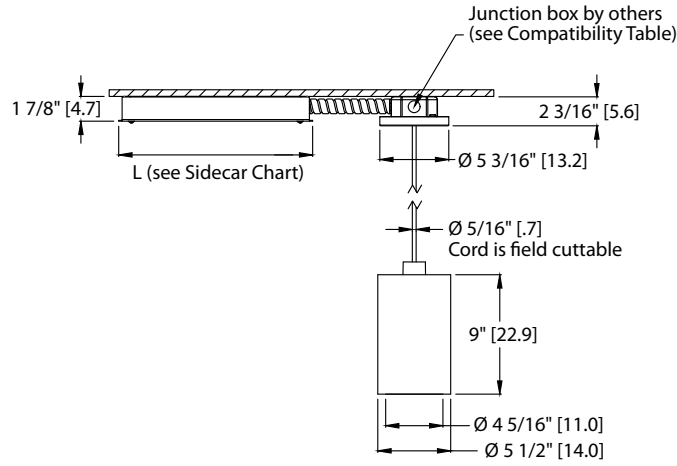


SIDECAR BATTERY OPTION	LUMEN PACKAGES AVAILABLE	L (SIDECAR LENGTH)
E7WCP	750LM AND GREATER EXCEPT AS NOTED BELOW	14"
	6000-8000LM	16"
	5000-8000LM WITH ECOD DRIVER	
E10WCP	1000LM AND GREATER EXCEPT AS NOTED BELOW	14"
	6000-8000LM	16"
	5000-8000LM WITH ECOD DRIVER	
E15WCP	1500LM AND GREATER	16"

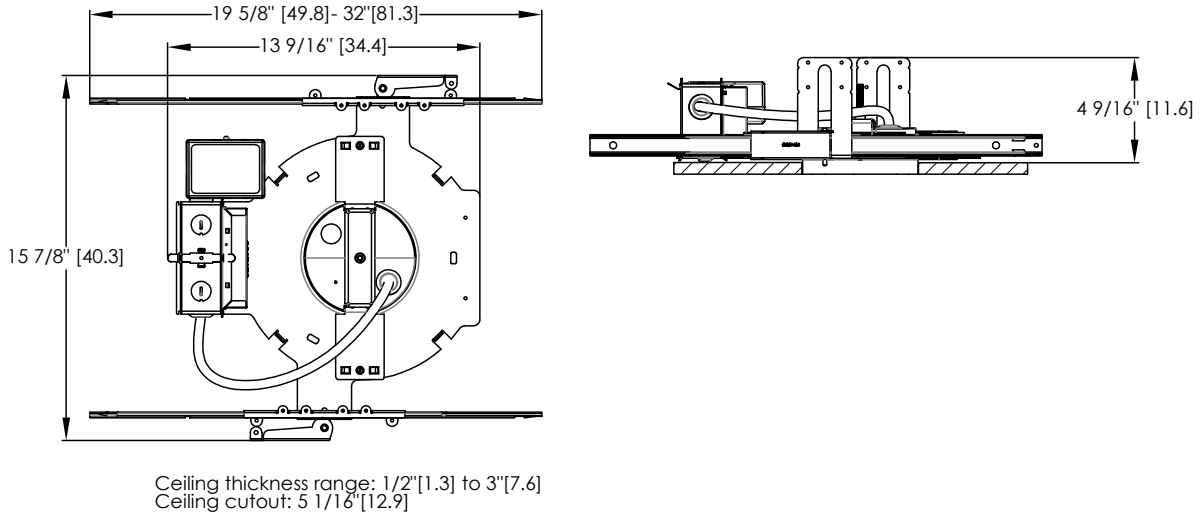
*Dimensions in inches [centimeters]

DIMENSIONAL DATA

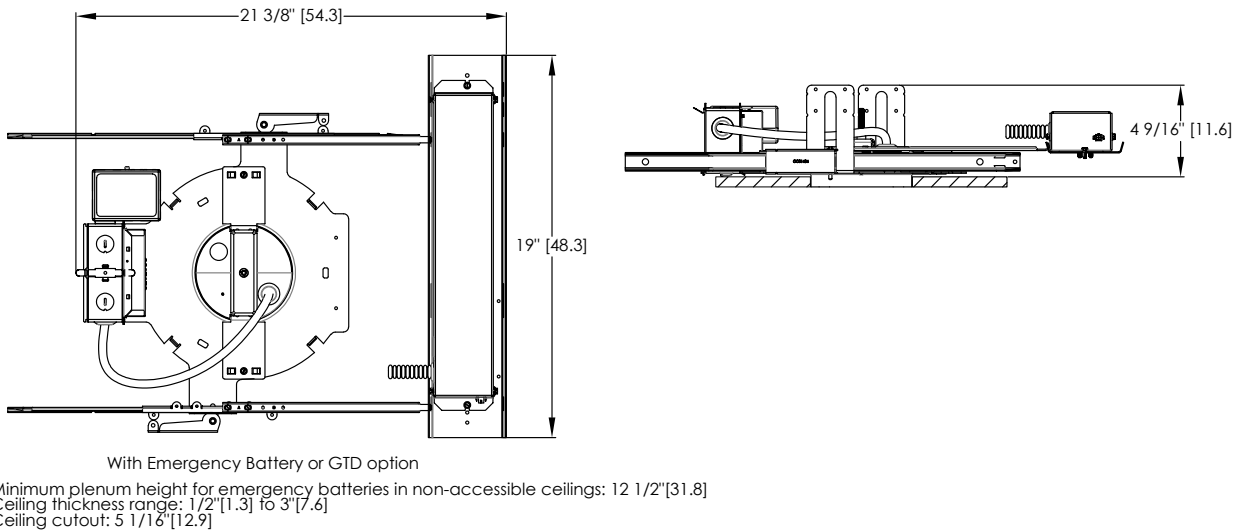
7W/10W/15W Sidecar Emergency Battery



RGH Standard



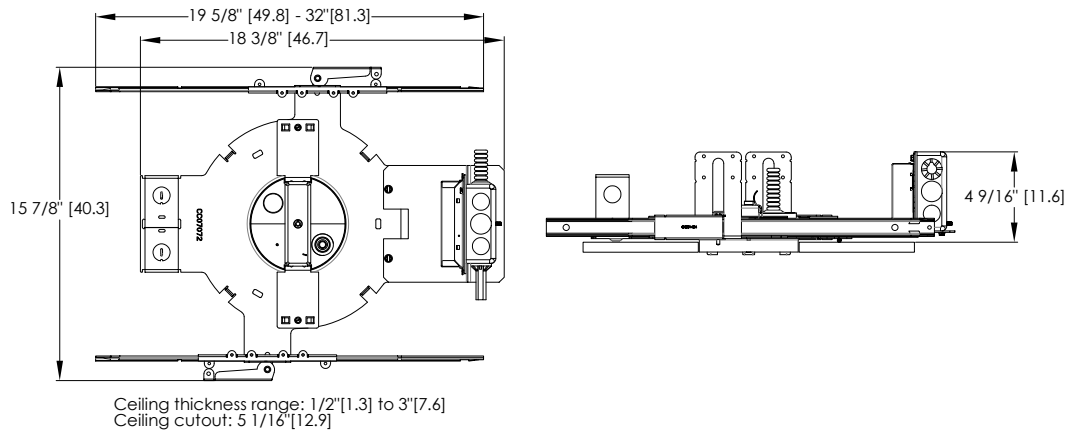
RGH with Battery Backup (E10WCPR/E10WCP) Standard



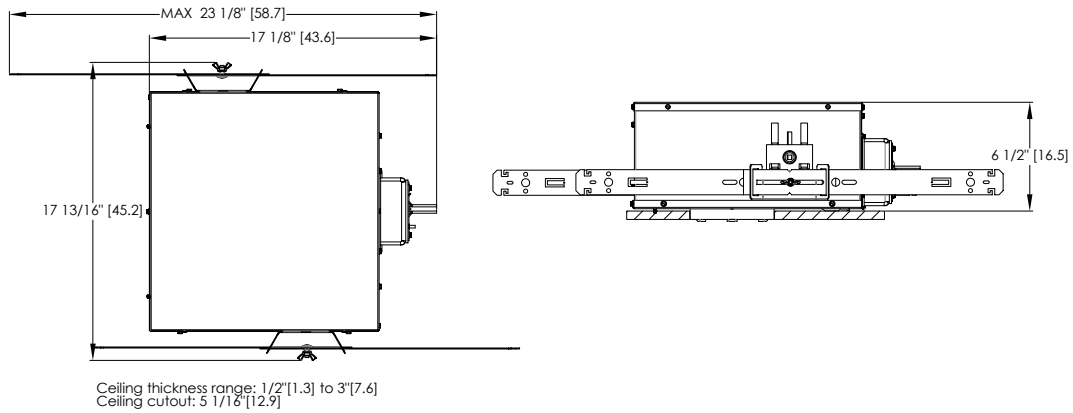
*Dimensions in inches [centimeters]

DIMENSIONAL DATA

RGH CP Standard



RGH with Chicago Plenum (CP) for use with nLight Enclosed

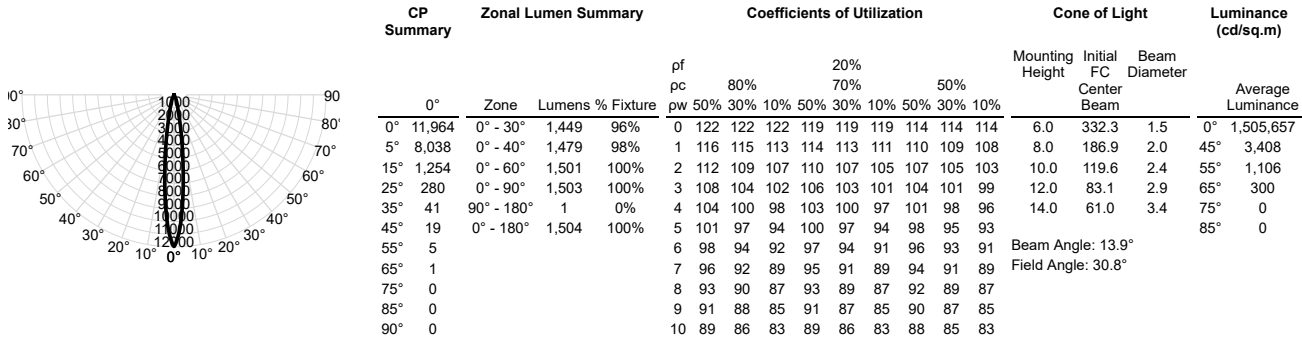


*Dimensions in inches [centimeters]

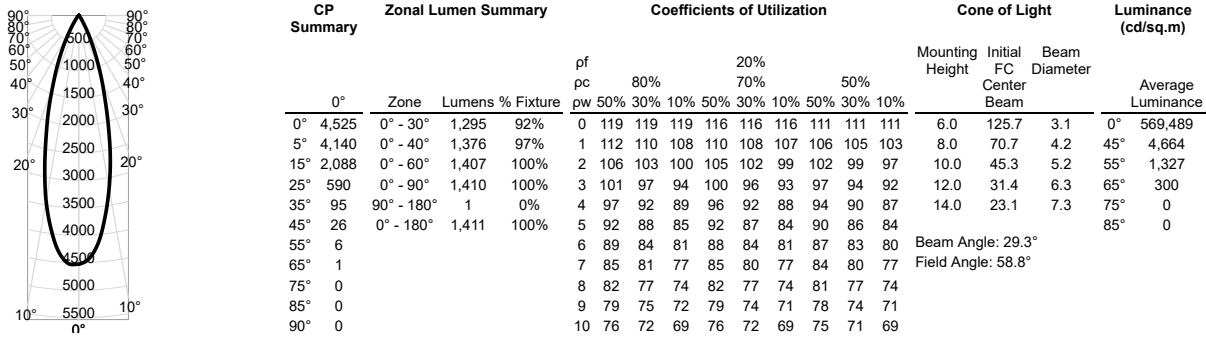
Photometry

CONSULT WWW.GOTHAMLIGHTING.COM FOR ADDITIONAL PHOTOMETRY.

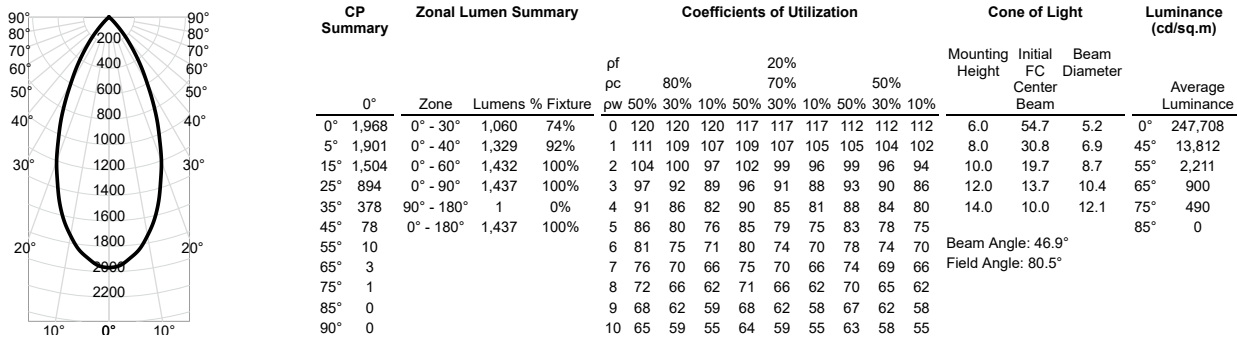
ICO4CC 35/15 AR LSS 15D Input Watts: 15.1, Delivered Lumens: 1504, LPW: 99.6, S/MH: 0.24, Test No: ISF 192654P4364



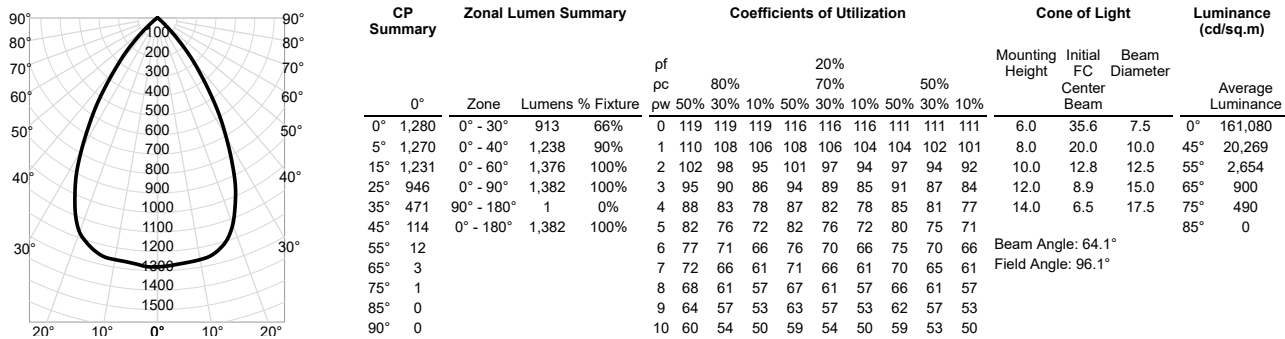
ICO4CC 35/15 AR LSS 30D Input Watts: 15.1, Delivered Lumens: 1411, LPW: 93.4, S/MH: 0.47, Test No: ISF 192657P4364



ICO4CC 35/15 AR LSS 45D Input Watts: 15.1, Delivered Lumens: 1437, LPW: 95.2, S/MH: 0.73, Test No: ISF 192660P4364



ICO4CC 35/15 AR LSS 65D Input Watts: 15.1, Delivered Lumens: 1382, LPW: 91.5, S/MH: 0.98, Test No: ISF 192663P4364



Photometry

Lumen Output Multiplier		
CRI	CCT	Multiplier
80	2700K	0.916
	3000K	0.948
	3500K	1
	4000K	1.032
	5000K	1.1
90	2700K	0.748
	3000K	0.8
	3500K	0.838
	4000K	0.845
	5000K	0.945

Reflector Finish Multiplier	
Reflector Finish	Multiplier
LS - Specular	1
LSS - Semi Specular	0.956
WR - White	0.87
LD - Matte Diffuse	0.85
BR - Black	0.73
BZR - Bronze	0.73

NLIGHT AIR

nLight® AIR is the ideal solution for retrofit or new construction spaces where adding communication wiring is cost prohibitive. The integrated nLight AIR rPP20 Power Pack is part of each EVO Luminaire ordered with the NLTAIR option. These individually addressable controls offer the ultimate in flexibility during initial setup and for space repurposing.

nLight® AIR Control Accessories
Order as separate catalog number. Visit [nLight AIR](#).

Wall Switches	Model Number
On/Off single pole	rPODB (color) G2
On/Off two pole	rPODB 2P (color) G2
On/Off & raise/lower single pole	rPODB DX (color) G2
On/Off & raise/lower two pole	rPODB 2P DX (color) G2

nLight® AIR Control Accessories (cont.)

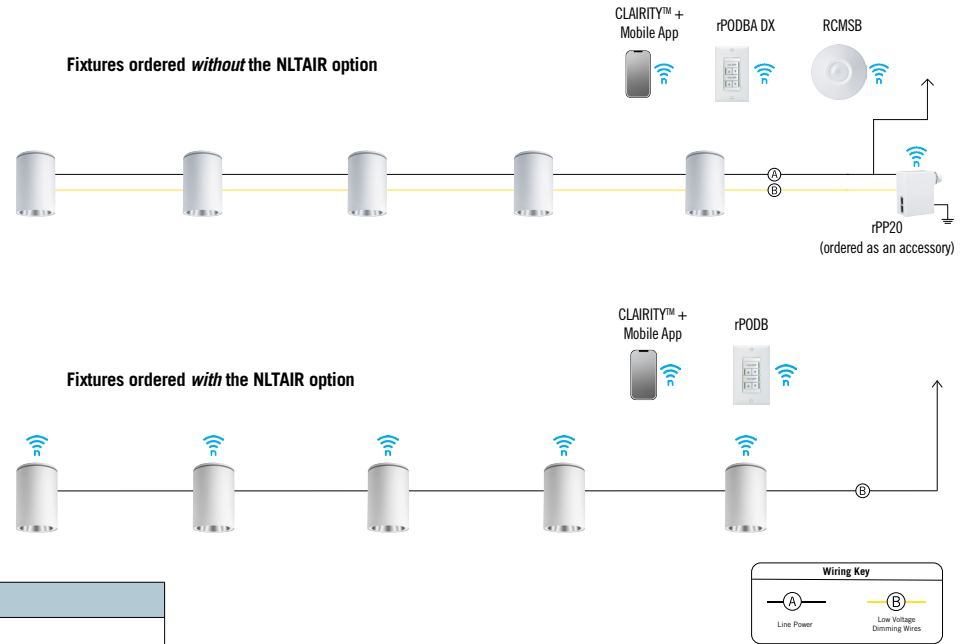
Occupancy Sensors (PIR/dual tech)	Model Number
Small motion 360°, ceiling	rCMS 9 / rCMS PDT 9
Large motion 360°, ceiling	rCMS 10 / rCMS PDT 10

UL924 Sequence of Operation

The below information applies to all nLight AIR devices with an EM option.

- EM devices will remain at their high-end trim and ignore wireless lighting control commands, unless a normal-power-sensed (NPS) broadcast is received at least every 8 seconds.
- Using the CLAIRITY+ mobile app, EM devices must be associated with a group that includes a normal power sensing device to receive NPS broadcasts.
- Only non-emergency rPP20, rLSXR, rSBOR, rSDGR, and nLight AIR luminaires with version 3.4 or later firmware can provide normal power sensing for EM devices. See specification sheets for control devices and luminaires for more information on options that support normal power sensing.

Possibilities for nLight® AIR



NLIGHT

nLight® Wired The nLight® solution is a digital networked lighting control system that provides both energy savings and increased user configurability by cost effectively integrating time-based, daylight-based, sensor-based and manual lighting control schemes.

nLight® Wired Control Accessories
Order as separate catalog number. Visit [nLight](#).

Wall Switches	Model Number
On/Off single pole	nPODM (color)
On/Off two pole	nPODM 2P (color)
On/Off & raise/lower single pole	nPOD DX (color)
On/Off & raise/lower two pole	nPODM 2P DX (color)
Graphic touchscreen	nPOD GFX (color)

Photocell Controls	Model Number
Dimming	nCM ADCX

nLight® Wired Control Accessories (cont.)

Occupancy Sensors (PIR/dual tech)	Model Number
Small motion 360°, ceiling	nCM 9 / nCM PDT 9
Large motion 360°, ceiling	nCM 10 / nCM PDT 10
Wide View	nWV 16 / nWV PDT 16
Wall switch with raise/lower	nWSX LV DX / nWSX PDT LV DX

Cat-5 Cables (plenum rated)	Model Number
10', CAT5	CAT5 10FT J1
15', CAT5	CAT5 15FT J1

Possibilities for nLight® wired

