



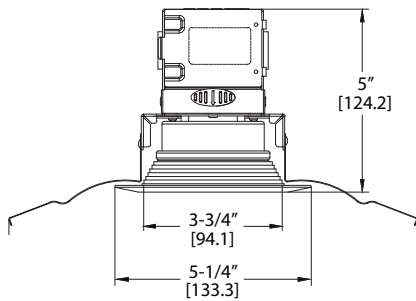
Juno OneUP™ LED Downlight Series

4" LED Direct Wire Switchable White Downlight, 900 lumens

JBK4 RD Series



Dimensions



Specifications

Aperture:	3-3/4" (94.1)
Overlap Trim:	5-1/4" (133.3)
Height:	5" (124.2)
Ceiling Opening:	6-1/2" (165)
Min Ceiling Thickness:	1/2" (12.7)
Max Ceiling Thickness:	1-1/2" (38.1)

All dimensions are inches (millimeters).

Project:
Fixture Type:
Location:
Contact/Phone:

Product Features

The 4" OneUp™ direct-wire downlights feature a unique “canless” all-in-one design that includes an integrated junction box with selectable white switch, baffle trim, pre-installed non-metallic bushings and 3-port push wire quick connectors in one package.

- Regressed lens and baffle trim design to reduce glare for comfortable and task illumination
- Requires no tools (other than a hole saw for your ceiling cutout) and take less than 1/3 of the time to install versus a conventional incandescent can
- 5 selectable color temperatures to choose with a switch ranging from warm (2700K) to daylight (5000K) allowing customization for endless applications

Applications

- Residential and light commercial applications including single and multi-family, assisted living, and dormitories
- Remodel or new construction insulated and drop ceiling installations
- Wet rated and airtight: perfect for showers, bathrooms, and outdoor soffits

Performance

Delivered Lumens	900 Nominal; up to 945 Lumens
LED Color Temperature	Switchable White (2700K, 3000K, 3500K, 4000K, 5000K) Default set at 3000K
Color Quality	3-step MacAdams at endpoints: 7- Step Mac-Adams at middle points
CRI	90+
Voltage	Dedicated 120V
Dimming	Dimmable down to 10% with forward phase triac dimmers. For a list of compatible dimmers see JUNO-ONEUP-DIM

LIGHTING PERFORMANCE DATA DONNÉES SUR LE RENDEMENT DE L'ÉCLAIRAGE	
Light Appearance (CCT) Aspect de la lumière (CCT)	
2700K soft white blanc doux	
880 lumens 77 lumens per watt	
3000K warm white blanc chaud	
900 lumens 81 lumens per watt	
3500K neutral white blanc neutre	
945 lumens 83 lumens per watt	
4000K cool white blanc froid	
915 lumens 80 lumens per watt	
5000K daylight blanc neutre	
910 lumens 80 lumens per watt	
Watts	11.4
Color Accuracy (CRI) Précision des couleurs (CRI)	90



Juno OneUP™ LED Downlight Series

4" LED Direct Wire Switchable White Downlight, 900 lumens



ORDERING INFORMATION

Ordering Example: JBK4 RD SWW5 90CRI MW

Trim Series	Trim Style	Color Temperature	Color Rendering Index	Finish
JBK4 4" Deep Regressed Round Direct-Wire LED Downlight	RD Round	SWW5 Switchable White (2700K, 3000K, 3500K, 4000K, 5000K)	90CRI 90+ CRI	MW Matte White

ACCESSORIES: Order as separate catalog number.

Catalog Number
OUIBK643 U Universal New Construction Pan accomodating 3", 4", 6" aperature sizes



Universal New Construction Pan
Multi- size: 3", 4", 6" new construction pre-mounting pan with nail-in barhanges

Performance Data

	JBK4 RD SWW5
Input voltage	120V AC
Input Power Typical	11.4W (+/-5%)
Min. power factor	0.9
Input Current (Amps)	0.57A
Frequency	60HZ
EMI/RFI	FCC Title 47, Part 15 Class B (consumer)
Minimum Starting Temp	-40°F (-40°C)

Note: Actual performance may differ as a result of end-user environment and application. All values are design or typical values, measured under laboratory conditions at 25°C.



Juno OneUP™ LED Downlight Series

4" LED Direct Wire Switchable White
Downlight, 900 lumens



Specifications

Housing

Spun steel, round baffle trim with secure trim retention with two side-mounted spring clips for easy installation in plaster, sheet rock, or plywood ceilings.

- The integrated junction box - with pre-installed non-metallic bushing - allows non-metallic cable to be fed through without the hassle of knockouts. The captive junction box door provides easy access to pre-installed 3-port push wire quick connectors for straight-forward wiring.

- Suitable for pulling wires with the 12 cubic-inch wiring compartment to accommodate up to (6) 14 gauge insulated conductors; making the OneUP™ LED Downlights much easier to wire in 2in/2out (plus ground) daisy-chain applications.

Driver

Accommodates 120 volts at 60hz. • Rated for Type IC installations with convenience of a switch to choose between 5 selectable color temperature options ranging from 2700K (warm white), 3000K, 3500K, 4000K, or 5000K (daylight).

- LEDs are integrated to one piece high purity aluminum, thermally conductive housing to provide uninterrupted heat transfer to ensure long life of the LED.
- Switchable white color temperature from 2700K, 3000K, 3500K, 4000K, 5000K.
- 90 CRI minimum • Dimming 100% to 10% with most standard incandescent dimmers (see list of approved dimmers).

Optics

Round baffle recesses optical system into the ceiling to prevent glare and provide a traditional look. Diffused lens provides even light distribution for general illumination, equivalent to 65W incandescent flood lamp. Wide flood beam angle at >90°.

Life

Rated for 50,000 hours at 70% lumen maintenance.

Listings

ETL certified to US and Canadian safety standards. ENERGY STAR® certified product • Suitable for wet location • Air-Loc certified in accordance with ASTM E283-2004 • NOM Certified • Can be used to comply with California Title 24 Part 6 High Efficacy LED light Source Requirements.

Testing

All reports are based on published industry procedures; field performance may differ from laboratory performance.

Warranty

5-year limited warranty. Complete warranty terms located at:

www.acuitybrands.com/support/customer-support/terms-and-conditions

Note: Specifications subject to change without notice.



Juno OneUP™ LED Downlight Series

4" LED Direct Wire Switchable White
Downlight, 900 lumens



Photometrics - JBK4 RD Series

Distribution Curve

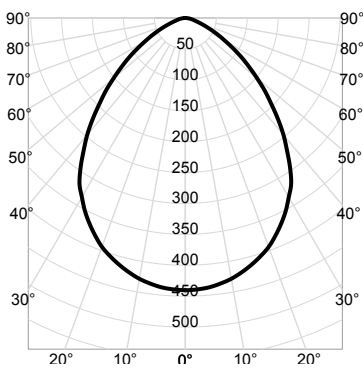
Distribution Data

Output Data

Coefficient of Utilization

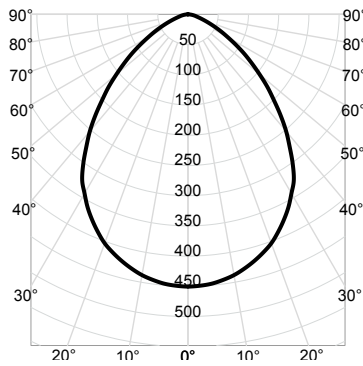
Illuminance Data at 30" Above
Floor for a Single Luminaire

JBK4 RD SWW5 90CRI MW M6 2700K Input Watts: 11.4, Delivered Lumens: 881, LPW: 77.3, S/MH: 1.13, Test No: ISF 202692P1



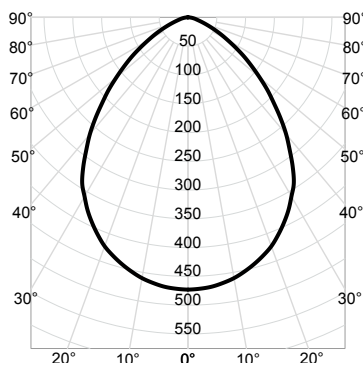
CP Summary		Zonal Lumen Summary				Coefficients of Utilization										Cone of Light			Luminance (cd/sq.m)
0°	Zone	Lumens	% Fixture	pf pc	80%		20%		50%		Mounting Height	Initial FC Center Beam	Beam Diameter	Average Luminance					
					50%	30%	10%	50%	30%	10%									
0°	441	0° - 30°	334	38%	0	119	119	119	116	116	111	111	111	6.0	12.2	11.0	0°	62,821	
5°	437	0° - 40°	524	60%	1	107	104	101	105	102	99	101	98	96	8.0	6.9	14.7	45°	39,644
15°	413	0° - 60°	798	91%	2	96	90	85	94	89	84	91	86	83	10.0	4.4	18.4	55°	27,569
25°	367	0° - 90°	881	100%	3	86	79	74	85	78	73	82	76	72	12.0	3.1	22.1	65°	15,987
35°	295	90° - 180°	0	0%	4	78	70	64	76	69	64	74	68	63	14.0	2.2	25.7	75°	8,331
45°	197	0° - 180°	881	100%	5	70	62	56	69	62	56	67	61	56				85°	4,948
55°	111				6	64	56	50	63	55	50	61	55	50	Beam Angle: 85.2°				
65°	47				7	59	51	45	58	50	45	56	50	45	Field Angle: 135.1°				
75°	15				8	54	46	41	53	46	41	52	45	40					
85°	3				9	50	42	37	49	42	37	48	41	37					
90°	0				10	46	39	34	46	39	34	45	38	34					

JBK4 RD SWW5 90CRI MW M6 3000K Input Watts: 11.4, Delivered Lumens: 901, LPW: 79.0, S/MH: 1.13, Test No: ISF 202692P2



CP Summary		Zonal Lumen Summary				Coefficients of Utilization										Cone of Light			Luminance (cd/sq.m)
0°	Zone	Lumens	% Fixture	pf pc	80%		20%		50%		Mounting Height	Initial FC Center Beam	Beam Diameter	Average Luminance					
					50%	30%	10%	50%	30%	10%									
0°	451	0° - 30°	341	38%	0	119	119	119	116	116	111	111	111	6.0	12.5	11.0	0°	64,249	
5°	447	0° - 40°	536	60%	1	107	104	101	105	102	99	101	98	96	8.0	7.0	14.7	45°	40,545
15°	423	0° - 60°	816	91%	2	96	90	85	94	89	84	91	86	83	10.0	4.5	18.4	55°	28,196
25°	375	0° - 90°	901	100%	3	86	79	74	85	78	73	82	76	72	12.0	3.1	22.1	65°	16,351
35°	302	90° - 180°	0	0%	4	78	70	64	76	69	64	74	68	63	14.0	2.3	25.7	75°	8,521
45°	201	0° - 180°	901	100%	5	70	62	56	69	62	56	67	61	56				85°	5,061
55°	113				6	64	56	50	63	55	50	61	55	50	Beam Angle: 85.2°				
65°	48				7	59	51	45	58	50	45	56	50	45	Field Angle: 135.1°				
75°	15				8	54	46	41	53	46	41	52	45	40					
85°	3				9	50	42	37	49	42	37	48	41	37					
90°	0				10	46	39	34	46	39	34	45	38	34					

JBK4 RD SWW5 90CRI MW M6 3500K Input Watts: 11.4, Delivered Lumens: 946, LPW: 83.0, S/MH: 1.13, Test No: ISF 202692P3



CP Summary		Zonal Lumen Summary				Coefficients of Utilization										Cone of Light			Luminance (cd/sq.m)
0°	Zone	Lumens	% Fixture	pf pc	80%		20%		50%		Mounting Height	Initial FC Center Beam	Beam Diameter	Average Luminance					
					50%	30%	10%	50%	30%	10%									
0°	473	0° - 30°	358	38%	0	119	119	119	116	116	111	111	111	6.0	13.1	11.0	0°	67,461	
5°	470	0° - 40°	563	60%	1	107	104	101	105	102	99	101	98	96	8.0	7.4	14.7	45°	42,572
15°	444	0° - 60°	857	91%	2	96	90	85	94	89	84	91	86	83	10.0	4.7	18.4	55°	29,606
25°	394	0° - 90°	946	100%	3	86	79	74	85	78	73	82	76	72	12.0	3.3	22.1	65°	17,168
35°	317	90° - 180°	0	0%	4	78	70	64	76	69	64	74	68	63	14.0	2.4	25.7	75°	8,947
45°	211	0° - 180°	946	100%	5	70	62	56	69	62	56	67	61	56				85°	5,314
55°	119				6	64	56	50	63	55	50	61	55	50	Beam Angle: 85.2°				
65°	51				7	59	51	45	58	50	45	56	50	45	Field Angle: 135.1°				
75°	16				8	54	46	41	53	46	41	52	45	40					
85°	3				9	50	42	37	49	42	37	48	41	37					
90°	0				10	46	39	34	46	39	34	45	38	34					



Juno OneUP™ LED Downlight Series

4" LED Direct Wire Switchable White Downlight, 900 lumens



Photometrics - JBK4 RD Series

Distribution Curve

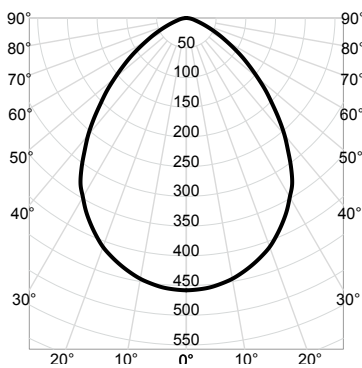
Distribution Data

Output Data

Coefficient of Utilization

Illuminance Data at 30" Above Floor for a Single Luminaire

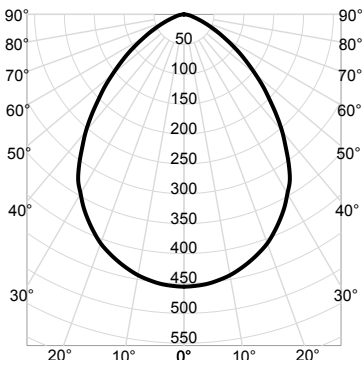
JBK4 RD SWW5 90CRI MW M6 4000K Input Watts: 11.4, Delivered Lumens: 916, LPW: 80.4, S/MH: 1.13, Test No: ISF 202692P4



CP Summary		Zonal Lumen Summary				Coefficients of Utilization										Cone of Light			Luminance (cd/sq.m)	
0°	Zone	Lumens	% Fixture	pf	pc	80%		20%		70%		50%		Mounting Height	Initial FC Center Beam	Beam Diameter	Average Luminance			
				pw	50%	30%	10%	50%	30%	10%	50%	30%	10%				0°	85°		
0°	458	0° - 30°	347	38%	0	119	119	119	116	116	116	111	111	111	6.0	12.7	11.0	0°	65,320	
5°	455	0° - 40°	545	60%	1	107	104	101	105	102	99	101	98	96	8.0	7.2	14.7	45°	41,221	
15°	430	0° - 60°	830	91%	2	96	90	85	94	89	84	91	86	83	10.0	4.6	18.4	55°	28,666	
25°	382	0° - 90°	916	100%	3	86	79	74	85	78	73	82	76	72	12.0	3.2	22.1	65°	16,623	
35°	307	90° - 180°	0	0%	4	78	70	64	76	69	64	74	68	63	14.0	2.3	25.7	75°	8,663	
45°	204	0° - 180°	916	100%	5	70	62	56	69	62	56	67	61	56				85°	5,145	
55°	115				6	64	56	50	63	55	50	61	55	50						
65°	49				7	59	51	45	58	50	45	56	50	45						
75°	16				8	54	46	41	53	46	41	52	45	40						
85°	3				9	50	42	37	49	42	37	48	41	37						
90°	0				10	46	39	34	46	39	34	45	38	34						

Beam Angle: 85.2°
Field Angle: 135.1°

JBK4 RD SWW5 90CRI MW M6 5000K Input Watts: 11.4, Delivered Lumens: 911, LPW: 79.9, S/MH: 1.13, Test No: ISF 202692P5



CP Summary		Zonal Lumen Summary				Coefficients of Utilization										Cone of Light			Luminance (cd/sq.m)	
0°	Zone	Lumens	% Fixture	pf	pc	80%		20%		70%		50%		Mounting Height	Initial FC Center Beam	Beam Diameter	Average Luminance			
				pw	50%	30%	10%	50%	30%	10%	50%	30%	10%				0°	85°		
0°	456	0° - 30°	345	38%	0	119	119	119	116	116	116	111	111	111	6.0	12.7	11.0	0°	64,963	
5°	452	0° - 40°	542	60%	1	107	104	101	105	102	99	101	98	96	8.0	7.1	14.7	45°	40,995	
15°	427	0° - 60°	826	91%	2	96	90	85	94	89	84	91	86	83	10.0	4.6	18.4	55°	28,509	
25°	379	0° - 90°	911	100%	3	86	79	74	85	78	73	82	76	72	12.0	3.2	22.1	65°	16,532	
35°	305	90° - 180°	0	0%	4	78	70	64	76	69	64	74	68	63	14.0	2.3	25.7	75°	8,615	
45°	203	0° - 180°	911	100%	5	70	62	56	69	62	56	67	61	56				85°	5,117	
55°	115				6	64	56	50	63	55	50	61	55	50						
65°	49				7	59	51	45	58	50	45	56	50	45						
75°	16				8	54	46	41	53	46	41	52	45	40						
85°	3				9	50	42	37	49	42	37	48	41	37						
90°	0				10	46	39	34	46	39	34	45	38	34						

Beam Angle: 85.2°
Field Angle: 135.1°