

FEATURES & SPECIFICATIONS

INTENDED USE — Ideal for applications requiring attractive edge-lit exit signage. Meets city of Chicago requirements.

CONSTRUCTION — Extruded brushed aluminum or white housing/trim.

Letters are 6" high with 100 ft viewing distance rating based upon UL924 standard (meets UL924 requirements however models with the city of Chicago required full stroke arrow cannot bear any UL mark). Full 3/4" stroke arrow. City of Chicago approved.

OPTICS — White LED technology provides uniform illumination to meet city of Chicago requirements.

The typical life of the exit LED lamp is 5 years, based on 24/7 operation.

Low energy consumption; fewer than five watts.

ELECTRICAL — Dual voltage input capacity (120/277).

Battery (for EL option only): Sealed maintenance-free nickel-cadmium battery delivers 90 minutes capacity to lamp. Charger maximizes battery life and automatically recharges after battery discharge.

INSTALLATION — EDGC - Universal (top, end or back) surface mounting. Black canopy provided with brushed aluminum housing. White canopy provided with white housing.

EDGRC - Recessed mounting. Bar hanger and brackets provided for both new or restricted ceiling access installation applications. Back wall mount (WM) option.

No acrylic panel, housing only option available.

LISTINGS — UL damp location listed 32°F to 122°F (0°C to 50°C) standard. Meets UL 924 (meets the UL924 requirements however models with the Chicago required full stroke arrow cannot bear any UL mark), NFPA 101 (current Life Safety Code), NEC and OSHA illumination standards. Meets City of Chicago Code. EDGRC models are city of Chicago plenum approved.

WARRANTY — 5-year limited warranty. This is the only warranty provided and no other statements in this specification sheet create any warranty of any kind. All other express and implied warranties are disclaimed. Complete warranty terms located at: www.acuitybrands.com/support/warranty/terms-and-conditions

Note: Actual performance may differ as a result of end-user environment and application.

All values are design or typical values, measured under laboratory conditions at 25 °C.

Specifications subject to change without notice.

| |
|----------------|
| Catalog Number |
| Notes |
| Type |



Edge-Lit Exits

EDGC

LED LAMPS



SPECIFICATIONS

| | EDGC NAP | EDGC EL NAP | EDGC | EDGC EL |
|---------------|------------------|------------------|--------------|-------------|
| Length | 12.9 (32.8) | 12.9 (32.8) | 12.9 (32.8) | 12.9 (32.8) |
| Height | 3.25 (8.3) | 3.25 (8.3) | 13.4 (34.0) | 13.4 (34.0) |
| Width | 1.8 (4.5) | 1.8 (4.5) | 4.5 (11.3) | 4.5 (11.3) |
| Weight | 2.2 lbs (.99 kg) | 2.4 lbs (1.1 kg) | 2.9 (1.3 kg) | 3.2 (1.4) |

| | EDGRC NAP | EDGRC EL NAP | EDGRC | EDGRC EL |
|---------------|------------------|------------------|------------------|-------------------|
| Length | 15.7 (40) | 15.7 (40) | 15.7 (40) | 15.7 (40) |
| Height | 5.4 (13.7) | 5.4 (13.7) | 12.7 (32.1) | 12.7 (32.1) |
| Width | 4.1 (10.5) | 4.1 (10.5) | 4.1 (10.5) | 4.1 (10.5) |
| Weight | 3.6 lbs (1.6 kg) | 4.8 lbs (2.1 kg) | 5.6 lbs (2.5 kg) | 6.1 lbs (2.7 kgs) |

| | EXIT and STAIR Panels |
|---------------|-----------------------|
| Length | 12.7 (5.7) |
| Height | 9.8 (4.4) |
| Width | .5 (1.2) |
| Weight | 2 lbs (.9 kg) |

All dimensions are inches (centimeters) unless otherwise noted.

ORDERING INFORMATION

Lead times will vary depending on options selected. Consult with your sales representative.

Example: EDGC 1 RW CH3 EL

| Family | Housing | Number of faces | Letter color |
|---|--------------------------|-----------------------------------|-----------------------------------|
| EDGC Surface mount LED edge-lit exit | (blank) Brushed aluminum | (blank) Not Required ¹ | (blank) Not Required ¹ |
| EDGRC Recess mount LED edge-lit exit | W White | 1 Single face 2 Double face | RW Red on white background |

| Directional indicators ¹ | Operation | Option |
|---|--|---|
| (blank) Not Required ¹ <u>Single face:</u> ² CH3 EXIT with no arrow CH6 EXIT with right arrow CH9 EXIT with left arrow CH12 EXIT with double arrow CH2A STAIR with no arrow CH5A STAIR with right arrow CH8A STAIR with left arrow CH11A STAIR with double arrow | (blank) Standard non-emergency EL Emergency operation with nickel-cadmium battery | (blank) Not Required ¹ NAP No acrylic panel. Housing only ³ WM Recessed wall mount ⁴ |
| <u>Double face:</u> ² CH18 EXIT with no arrow CH21 EXIT with right/left arrow CH24 EXIT with double arrow CH17A STAIR with no arrow CH20A STAIR with right/left arrow CH23A STAIR with double arrow | | |

Accessories next page.

Notes

- Use with NAP option only. EDGC & EDGRC use the same housing for single and double face panels. See accessories for panel offering. Panels are ordered separately.
- Meets the UL924 requirements however models with the Chicago required full stroke arrow cannot bear any UL mark.
- See accessories for panel offering.
- Available on EDGRC single face only. When ordered with NAP option, panels ordered separately. i.e. EDGRC NAP WM or EDGRC EL NAP WM. See accessories for single face panel offering.
- See spec sheet ELA-StemKits. Only available for EDGC.

| Accessories ² : Order as separate catalog number. | | | | | |
|--|-------------------------|------------------------------------|-----------------------------|-------------------|--|
| Panel Offering Single Face: | | Panel Offering Double Face: | | Stem Kits: | |
| ELA EDGCH3 | EXIT with no arrow | ELA EDGCH18 | EXIT with no arrow | ELA US12 | 12" stem kit with brushed aluminum canopy ⁵ |
| ELA EDGCH6 | EXIT with right arrow | ELA EDGCH21 | EXIT with right/left arrow | ELA W US12 | 12" stem kit with white canopy ⁵ |
| ELA EDGCH9 | EXIT with left arrow | ELA EDGCH24 | EXIT with double arrow | | |
| ELA EDGCH12 | EXIT with double arrow | ELA EDGCH17A | STAIR with no arrow | | |
| ELA EDGCH2A | STAIR with no arrow | ELA EDGCH20A | STAIR with right/left arrow | | |
| ELA EDGCH5A | STAIR with right arrow | ELA EDGCH23A | STAIR with double arrow | | |
| ELA EDGCH8A | STAIR with left arrow | | | | |
| ELA EDGCH11A | STAIR with double arrow | | | | |

SPECIFICATIONS

ELECTRICAL

Primary Circuit

| Type | Typical LED life ¹ | Supply voltage | Input watts | Max. amps |
|----------------------|-------------------------------|----------------|-------------|-----------|
| EXIT/STAIR AC only | >5 years | 120 | 5 | 0.10 |
| | | 277 | 5 | 0.05 |
| EXIT/STAIR emergency | >5 years | 120 | 5 | 0.10 |
| | | 277 | 5 | 0.05 |

BATTERY

Sealed Nickel-Cadmium (EL option)

| Typical shelf life ² | Typical life ² | Maintenance ³ | Temperature range ⁴ |
|---------------------------------|---------------------------|--------------------------|--------------------------------|
| 3 years | 6-8 years | none | 32°–122°F (0°–50°C) |

Notes

- Based on 24/7 operation. Typical life of the exit LED lamp is 5 years.
- At 77°F (25°C).
- All life safety equipment, including emergency lighting path of egress, must be maintained, serviced and tested in accordance with all National Fire Protection Association and local codes. Failure to perform the required maintenance, service or testing could jeopardize the safety of occupants and will void all warranties.
- Optimum ambient temperature range where unit will provide capacity for 90 minutes. Higher and lower temperatures affect life and capacity.

Directional Indicators (Exit)

| Specification (add to catalog number) | Graphics | |
|--|----------|-------|
| | Back | Front |
| CH3 (no arrows) | | |
| CH6 (right arrow) | | |
| CH9 (left arrow) | | |
| CH12 (single face, left and right arrow) | | |
| CH18 (double face, no arrows) | | |
| CH21 (double face, one arrow on each side) | | |
| CH24 (double face, two arrows on each side) | | |

*Models with the city of Chicago required full stroke arrow cannot bear any UL mark. Excludes: CH3, CH18

Directional Indicators (Stair)

| Specification (add to catalog number) | Graphics | |
|---|----------|-------|
| | Back | Front |
| CH2A (no arrows) | | |
| CH5A (right arrow) | | |
| CH8A (left arrow) | | |
| CH11A (single face, left and right arrow) | | |
| CH17A (double face, no arrows) | | |
| CH20A (double face, one arrow on each side) | | |
| CH23A (double face, two arrows on each side) | | |

*Models with the city of Chicago required full stroke arrow cannot bear any UL mark. Excludes: CH2A, CH17A

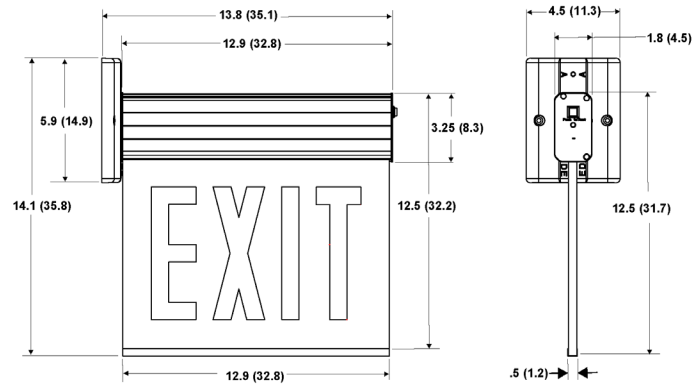
MOUNTING

All dimensions are inches (centimeters).

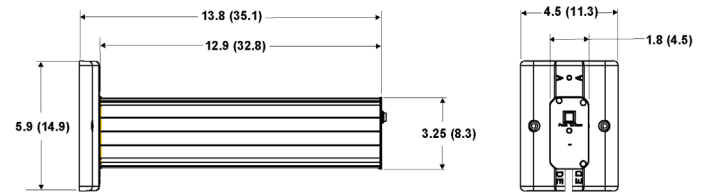
EXIT option shown. STAIR has the same mounting and dimensions as EXIT.

EDGC

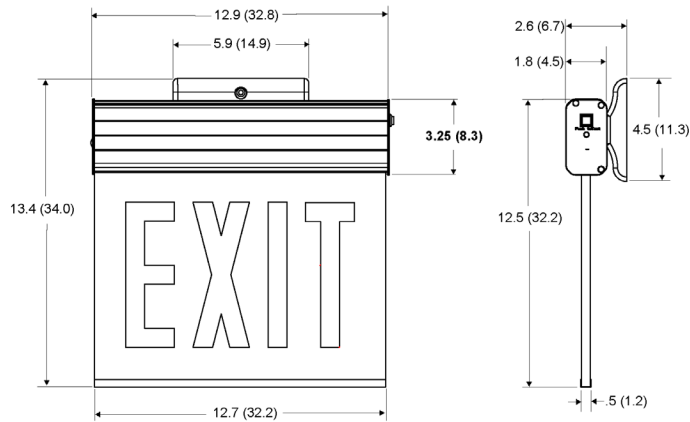
End Mount



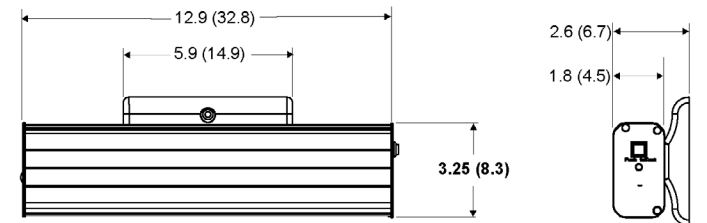
End Mount - NAP (No Acrylic Panel option)



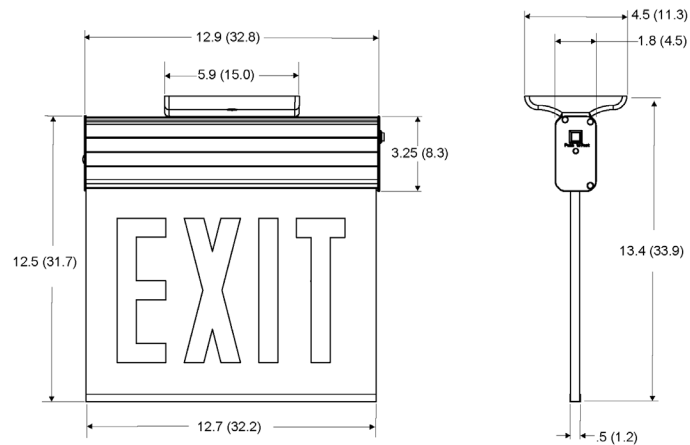
Back Mount



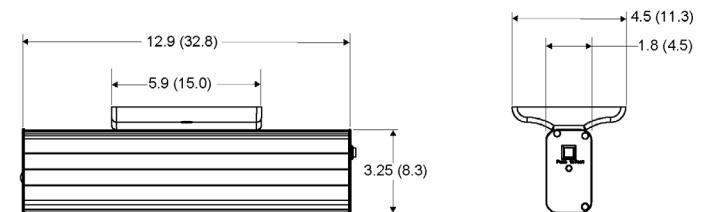
Back Mount - NAP (No Acrylic Panel option)



Surface Mount



Surface Mount - NAP (No Acrylic Panel option)



Note: STAIR option are the same as EXIT

EDGC Edge-Lit Exits

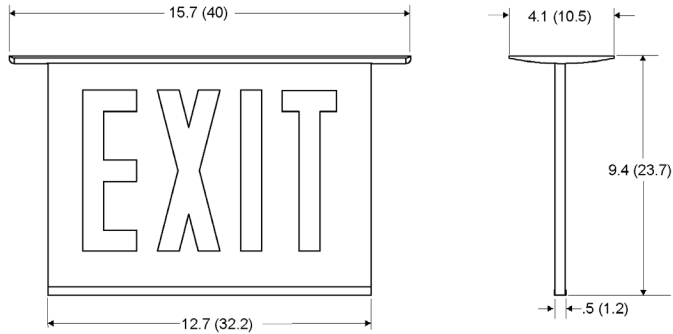
MOUNTING

All dimensions are inches (centimeters).

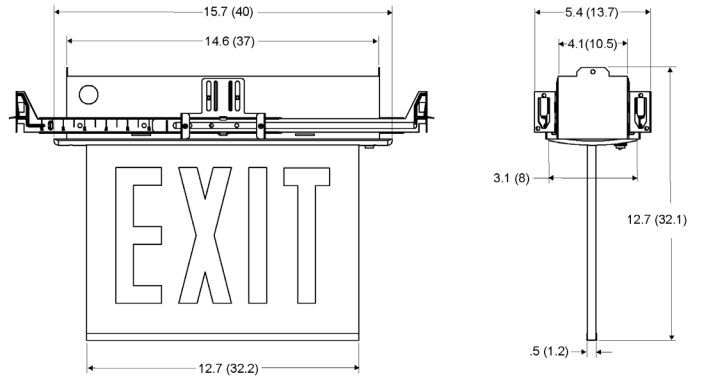
EXIT option shown. STAIR has the same mounting and dimensions as EXIT.

EDGRC

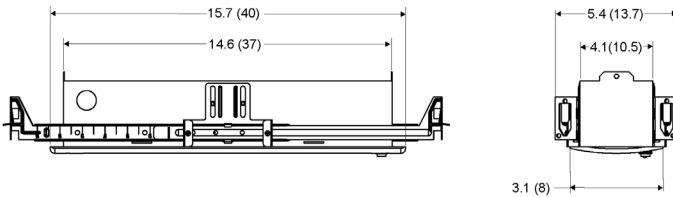
Recessed Mount



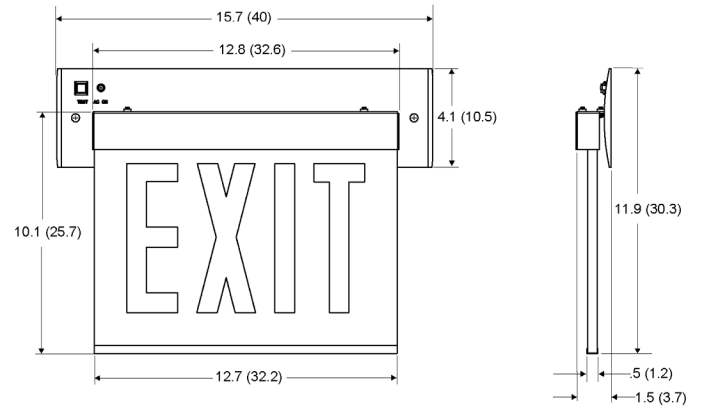
Recessed Mount - Uninstalled



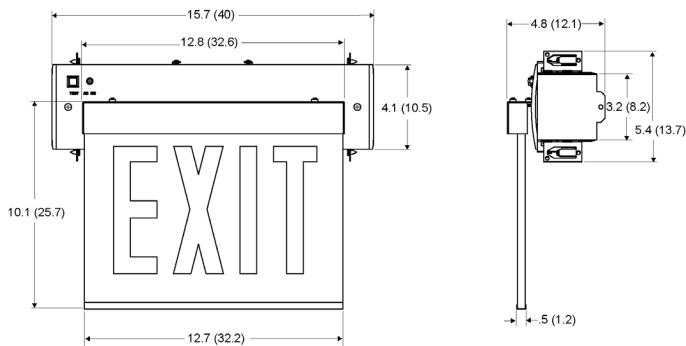
Recessed Mount - NAP (No Acrylic Panel option)



Recessed Mount - Wall Mount (WM option Installed)



Recessed Mount - Wall Mount (WM option Uninstalled)



Recessed Mount - Wall Mount NAP (No Acrylic Panel option)

