

Catalog Number
Notes
Type

FEATURES & SPECIFICATIONS

INTENDED USE

Provides general illumination in commercial and residential applications. Ideal for use in common areas, foyers, hallways, corridors, living rooms, bedrooms, offices, stairways and more.

CONSTRUCTION

The Aberdale Collection features a white acrylic diffuser with a cleanable linen fabric overlay for an updated traditional look.

OPTICS

The flush mount produces up to 1,545 lumens at 50,000 hours (determined by fabric and color temp - see chart below).

ELECTRICAL

Fixture operates at 120 volts, 60Hz. Standard input = 24 watts, 64 lumens per watt.

Works with most standard incandescent dimmers (see list of approved dimmers).

INSTALLATION

All mounting hardware included for mounting to a standard junction box.

LISTINGS

UL Listed to US and Canadian standards and suitable for damp locations.

WARRANTY

5-year limited warranty. This is the only warranty provided and no other statements in this specification sheet create any warranty of any kind. All other express and implied warranties are disclaimed. Complete warranty terms located at: www.acuitybrands.com/support/warranty/terms-and-conditions

NOTE: Actual performance may differ as a result of end-user environment and application. All values are design or typical values, measured under laboratory conditions at 25 °C. Specifications subject to change without notice.

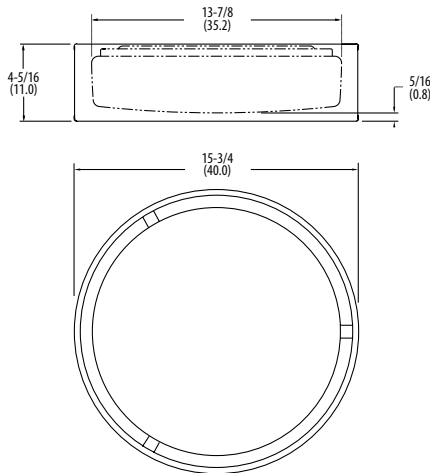
Decorative Indoor

Aberdale Collection LED Flush Mount



Lilac

Lumen Data		
		Lilac (F22)
Flush Mount	3000K	290/1545



Specifications

Flush mount

Depth: 4-5/16 (11.0)

Diameter: 15-3/4 (40.0)

Weight: 3.25 lb (1.5 kg)

Weight: 1.92 lbs (0.9 kg)

All dimensions are inches (centimeters) unless otherwise indicated.

ORDERING INFORMATION

For shortest lead times, configure product using **bolded options**.

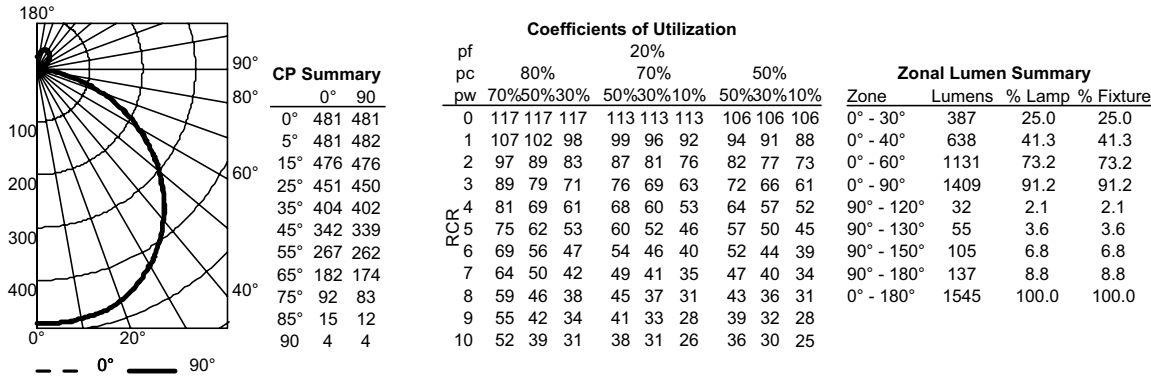
Example: FMABFL 16 20830 F22

Series	Module/CRI	Color temperature	Finish
FMABFL 16 LED flush mount, 16" diameter	208 >80	30 3000K	F22 Lilac

LED Flush Mount Aberdale Collection

PHOTOMETRICS

FMABFL 20830 F22, 1,545 delivered lumens, test no. LTL25730, tested in accordance to IESNA LM-79.



ADDITIONAL INFORMATION

SUGGESTED DIMMERS

The Aberdale Collection is designed to operate with most standard Triac Based dimmers and is not compatible with 0-10v dimming systems. The following is a list of dimmers tested and does not imply any guarantee or warranty of compatibility with a particular application. Unlisted dimmers do not imply non-compatibility.

Manufacturer	Part number(s)	Manufacturer	Part number(s)
Leviton	6633P	Lutron	DVELV 300P
	IPL06		SkyLark 300P
	6674P		NTELV 300
	IPE04		NLV 600
	Trimatron 600W	Synergy	ISD 600 I 120