

FEATURES & SPECIFICATIONS

INTENDED USE — Typical applications include corridors, lobbies, conference rooms and private offices.

CONSTRUCTION — Install from below construction standard.

Additional mounting options available including new construction mounting pan.

Ambient operating temperature: 25 °C. High ambient option available.

Light engine and driver are accessible from above or below ceiling.

Passive cooling thermal management

Max ceiling thickness 1-1/4"

OPTICS — 3 SDCM; 80 CRI typical

Diffusing lens covers optical chamber

55° cutoff to source and source image

Self-flanged anodized reflectors in specular, semi-specular, or matte diffuse finishes.

ELECTRICAL — 120V TRIAC or ELV dimming and Multi-volt 0-10V dimming available.

0-10V dimming fixture requires two (2) additional low-voltage wires to be pulled

70% lumen maintenance at 50,000 hours

LISTINGS — Certified to US and Canadian safety standards. Damp location standard (wet location, covered ceiling optional).

GOVERNMENT PROCUREMENT — BAA – Buy America(n) Act: Product qualifies as a domestic end product under the Buy American Act as implemented in the FAR and DFARS. Product also qualifies as manufactured in the United States under DOT Buy America regulations.

BABA – Build America Buy America: Product qualifies as produced in the United States under the definitions of the Build America, Buy America Act.

Please refer to www.acuitybrands.com/buy-american for additional information.

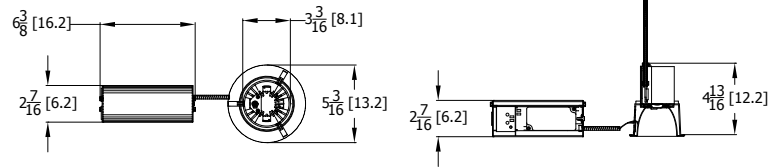
WARRANTY — 5-year limited warranty. This is the only warranty provided and no other statements in this specification sheet create any warranty of any kind. All other express and implied warranties are disclaimed. Complete warranty terms located at: www.acuitybrands.com/support/warranty/terms-and-conditions

Note: Actual performance may differ as a result of end-user environment and application. All values are design or typical values, measured under laboratory conditions at 25 °C. Specifications subject to change without notice.

Catalog Number
Notes
Type

LDN3

**3" OPEN
Non-IC
New Construction Downlight**



APERTURE: 2-5/8 (6.7)
CEILING OPENING: 3-1/4 (8.3)
OVERLAP TRIM: 3-11/16 (9.4)

*Height increases to 5-3/4" [14.5] for 1500lm (or HAO for all lumen outputs).



A+ Capable options indicated by this color background.

ORDERING INFORMATION

Lead times will vary depending on options selected. Consult with your sales representative.

Example: LDN3 35/10 L03AR LSS MVOLT UGZ

Series	Color temperature	Lumens	Aperture/Trim Color		Finish
LDN3 3" round	27/ 2700K 30/ 3000K 35/ 3500K 40/ 4000K	05 500 lumens 10 1000 lumens 15 ¹ 1500 lumens	L03 Downlight LW3 Wallwash	AR Clear WR ² White BR ² Black	LSS Semi-specular LD Matte diffuse LS Specular

Voltage	Driver	Options
MVOLT ³ Multi-volt 120 120V 277 277V 347 ⁵ 347V	UGZ10 Universal dimming to 10% (0-10V, 120V, Triac, or ELV) UGZ Universal dimming to 1% (0-10V, 120V, Triac, or ELV)	SF ⁶ Single Fuse TRW ⁷ White painted flange TRBL ⁷ Black painted flange NPP16D ^{4,5,6} nLight network power/relay pack with 0-10V dimming. NPP16DER ^{4,5,6} nLight network power/relay pack with 0-10V dimming. ER controls fixtures on emergency circuit.
		HAO High ambient Option (40°C) WL Wet location NCH New construction housing

LUMEN OUTPUT			
Nominal Lumens	Delivered Lumens*	Wattage	LPW
500	530	6.27	84.5
1000	1032	14.3	72.2
1500	1491	24.9	60.0

*3500K Clear LS reflector

Notes

- 347V is only available with 1500lm. 1500lm not available with HAO option.
- Not available with finishes.
- Multi-volt 120-277V.
- Factory supplied device shipped separately. Field installation required.
- Access required to location of remote mounted device.
- Must specify voltage.
- Not required with WR and BR options.

LDN3

PHOTOMETRY

Distribution Curve

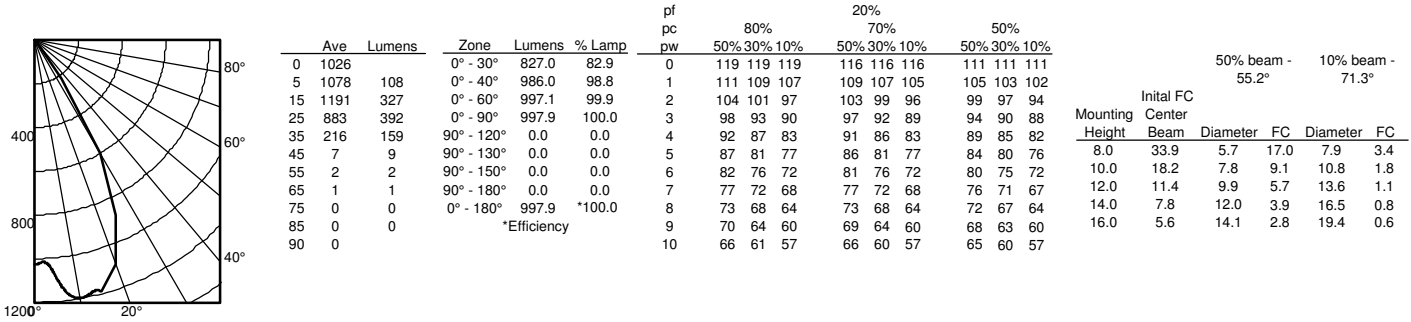
Distribution Data

Output Data

Coefficient of Utilization

Illuminance Data at 30" Above Floor for a Single Luminaire

LDN3CYL 35/10 L03AR LS, input watts: 14.31, delivered lumens: 999.8, LM/W = 69.8, spacing criterion at 0 = 1.05, test no. ISF34000SP

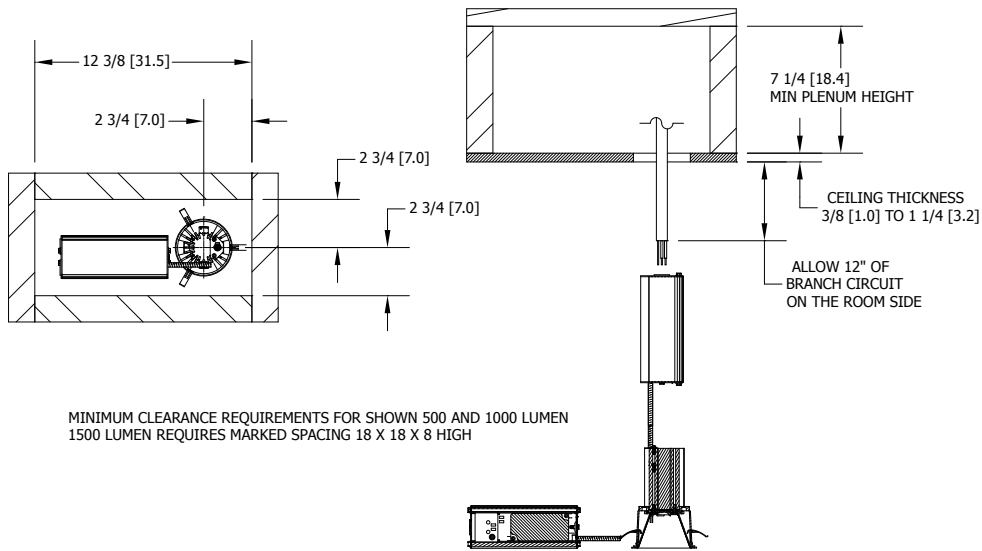


LUMEN OUTPUT MULTIPLIERS - FINISH

Clear Specular (AR LS)	1.0
Clear Semi-spec (AR LSS)	0.95
Clear Matte Diffuse (AR LD)	0.85
White Painted (WR)	0.87
Black Painted (BR)	0.73

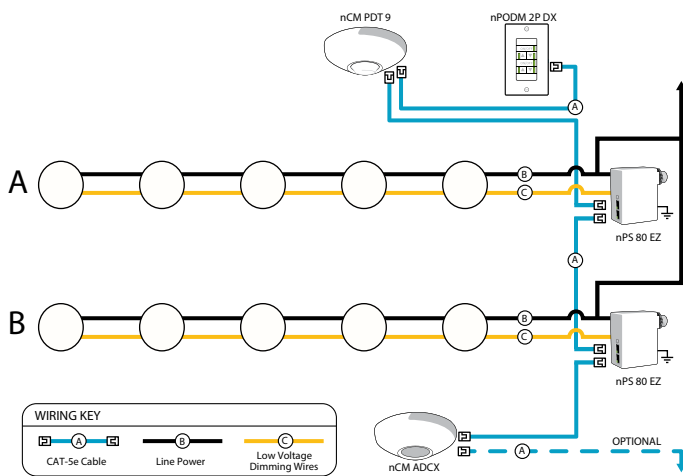
Notes

- Tested in accordance with IESNA LM-79-08.
- Tested to current IES and NEMA standards under stabilized laboratory conditions.
- CRI: 80 typical.



ADDITIONAL DATA

COMPATIBLE 0-10V AND LINE VOLTAGE DIMMERS		
MANUFACTURER	PART NO.	CONTOL DEVICE DIM CURVE
Synergy®	ISD 400 ELV 120	Logarithmic
	ISD 600 I 120	Logarithmic
	ISD 1000 I 120	Logarithmic
Leviton®	IllumaTech-IPE04	Logarithmic
	IllumaTech-IPI06	Logarithmic
	IllumaTech-IPI10	Logarithmic
	IllumaTech-IPL06-10	Logarithmic
	Sureslide 6633-P 600-watt 3-way	Linear
	Sureslide 6674-P 600-watt single pole	Linear
	Sureslide 6674-P 600-watt 3-way	Linear



nLight® Control Accessories:			
Order as separate catalog number. Visit www.sensorswitch.com/nLight for complete listing of nLight controls.			
WallPod stations	Model number	Occupancy sensors	Model number
On/Off	nPODM [color]	Small motion 360°, ceiling (PIR / dual tech)	nCM 9 / nCM PDT 9
On/Off & Raise/Lower	nPODM DX [color]	Large motion 360°, ceiling (PIR / dual tech)	nCM 10 / nCM PDT 10
Graphic Touchscreen	nPOD GFX [color]	Wide view (PIR / dual tech)	nWV 16 / nWV PDT 16
Photocell controls	Model number	Wall Switch w/ Raise/Lower (PIR / dual tech)	nWSX LV DX / nWSX PDT LV DX
Dimming	nCM ADCX	Cat-5 cables (plenum rated)	Model number
		10', CAT5 10FT	CAT5 10FT J1
		15', CAT5 15FT	CAT5 15FT J1