

## FEATURES & SPECIFICATIONS

**INTENDED USE** — Ideal for applications that require attractive steel exit with emergency lighting. Meets city of Chicago requirements.

**CONSTRUCTION** — 20-gauge steel housing with glass panel face.

White powder coat finish.

Uniform graphical illumination without shadows or hot spots.

Letters are 6" high with 100 ft. viewing distance rating based upon UL924 standard.

**OPTICS** — White LED technology provides uniform illumination to meet city of Chicago requirements.

The typical life of exit LED lamp is 10 years. Unique LED lamp platform accommodates both single-face and double-face exits.

Low energy consumption; fewer than five watts (EXIT only).

Two adjustable metal lamp heads with 12 watt PAR36 style Halogen lamps.

**ELECTRICAL** — Dual voltage input capacity (120/277). Current-limiting charger maximizes battery life and minimizes energy consumption. Provides low operating costs.

Test switch and dual-function ready/charge light (red) permit check of system operation on exit sign and emergency light.

Exit sign battery: Sealed, maintenance-free nickel-cadmium battery delivers 90 minutes capacity to lamp. Charger maximizes battery life and automatically recharges after battery discharge.

Emergency light battery: Maintenance-free lead-calcium battery provides 27 watts capacity for 90 minutes.

Emergency light: Slip-on battery terminals.

Emergency light: Low-voltage disconnect prevents excessively deep discharge that can permanently damage the battery.

**INSTALLATION** — Top or back mount. Canopy provided.

Full stroke arrow option available.

**LISTINGS** — UL listed damp location 68°F to 122°F (20°C to 50°C). Meets UL924 (meets UL924 requirements; however, models with the city of Chicago required full stroke arrow cannot bear any UL mark), NFPA 101 (current Life Safety Code), NEC and OSHA illumination standards. Meets City of Chicago Code.

**WARRANTY** — 5-year limited warranty. Complete warranty terms located at: [www.acuitybrands.com/support/customer-support/terms-and-conditions](http://www.acuitybrands.com/support/customer-support/terms-and-conditions)

**Note:** Actual performance may differ as a result of end-user environment and application.

All values are design or typical values, measured under laboratory conditions at 25 °C.

Specifications subject to change without notice.

Catalog Number
Notes
Type

### Industrial Steel Combo Emergency Lighting

# LHXC

LED EXIT



#### Specifications

Length: 12-3/8 (31.5)

Depth: 5-7/8 (14.9)

Height: 16-1/2 (42.2)

Shipping weight : 18.2 lbs (8.2 kgs)

#### ORDERING INFORMATION

Lead times will vary depending on options selected. Consult with your sales representative.

**Example:** LHXC W 1 RW CH3

LHXC Family	W Housing color	Number of faces	RW Letter color	Directional indicators <sup>1</sup>										
LHXC LED exit/emergency light combo	W White	1 Single face 2 Double face	RW Red on white background	<table border="0"> <tr> <td><u>Single face</u></td> <td><u>Double face</u></td> </tr> <tr> <td>CH3 EXIT with no arrow</td> <td>CH18 EXIT with no arrow</td> </tr> <tr> <td>CH6 EXIT with right arrow</td> <td>CH21 EXIT with right/left arrow</td> </tr> <tr> <td>CH9 EXIT with left arrow</td> <td>CH24 EXIT with double arrow</td> </tr> <tr> <td>CH12 EXIT with double arrow</td> <td></td> </tr> </table>	<u>Single face</u>	<u>Double face</u>	CH3 EXIT with no arrow	CH18 EXIT with no arrow	CH6 EXIT with right arrow	CH21 EXIT with right/left arrow	CH9 EXIT with left arrow	CH24 EXIT with double arrow	CH12 EXIT with double arrow	
<u>Single face</u>	<u>Double face</u>													
CH3 EXIT with no arrow	CH18 EXIT with no arrow													
CH6 EXIT with right arrow	CH21 EXIT with right/left arrow													
CH9 EXIT with left arrow	CH24 EXIT with double arrow													
CH12 EXIT with double arrow														

#### Notes

<sup>1</sup> See charts on page 2 for more information.

# LHXC Industrial Steel Combo Emergency Lighting

## SPECIFICATIONS

### ELECTRICAL Primary Circuit

Type	Supply voltage	Input watts	Max. amps
LHXC	120	16	0.21
	277	16	0.09

### BATTERY

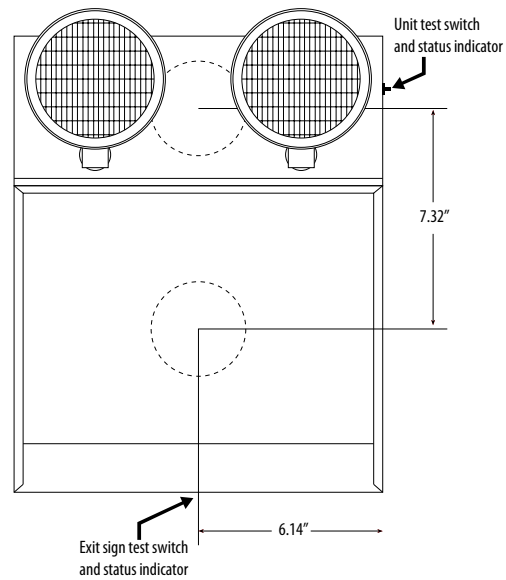
Type	Voltage	Shelf life	Typical life <sup>1</sup>	Maintenance <sup>2</sup>	Optimum Temperature <sup>3</sup>
EXIT Sign	4.8	12 months	7 - 9 years	none	32°–122°F (0°–20°C)
Emergency Light	6V	12 months	5 - 7 years	none	60°–90°F (15°–32°C)

#### Notes

- At 77°F (25°C).
- All life safety equipment, including emergency lighting path of egress, must be maintained, serviced and tested in accordance with all National Fire Protection Associate and local codes. Failure to perform the required maintenance, service or testing could jeopardize the safety of occupants and will void all warranties.
- Optimum ambient temperature range where until will provide capacity for 90 minutes. Higher or lower temperatures affect life and capacity.

## MOUNTING

All dimensions are inches (centimeters).



## Directional Indicators (Exit)

Specification (add to catalog number)	Graphics	
	Back	Front
<b>CH3</b> (no arrows)		
<b>CH6</b> (right arrow)		
<b>CH9</b> (left arrow)		
<b>CH12</b> (single face, left and right arrow)		
<b>CH18</b> (double face, no arrows)		
<b>CH21</b> (double face, one arrow on each side)		
<b>CH24</b> (double face, two arrows on each side)		

\*Models with the city of Chicago required full stroke arrow cannot bear any UL mark. Excludes: CH3, CH18