

Catalog Number
Notes
Type

FEATURES & SPECIFICATIONS

INTENDED USE — Ideal for wet location areas requiring combination exit sign and emergency lighting that are subject to saturation with non-mechanically delivered water.

CONSTRUCTION — White, compact, contemporary design. Housing also available in black. Engineering-grade thermoplastic housing is impact-resistant, scratch-resistant and corrosion-proof. Universal directional Chevron inserts are easily removed and reinserted. UL94V-0 flame rating. UV-stable resin resists discoloration from natural and man-made light sources. Rugged, heavy-duty, polycarbonate clear housing lens.

OPTICS — Low energy consumption — fewer than 5 watts. The typical life of the exit LED lamp is 10 years, based on continuous operation.

ELECTRICAL — Dual voltage input capacity (120/277V).

Battery: — Sealed, maintenance free nickel-cadmium battery delivers 90 minutes rated capacity. Magnetic test switch (magnet included) provides manual activation of 30-second diagnostic testing for on-demand visual inspection.

Self-diagnostic testing (SD Option Only) for 30 seconds every 30 days, 30 minutes every 180 days and a 90-minute annual test. Diagnostic evaluation of LED light source, charging and battery condition.

INSTALLATION — Universal (top, end or back mount), canopy included. Junction box hole pattern for 4" octagon mounting. Flexible conduit entry.

LISTINGS — UL listed. Wet location listed. Standard temperature rating 32-122°F (0-50°C), CW (cold weather) temperature rating -4°F to 122°F (-20°C to 50°C). Meets UL 924, NFPA 101 (current Life Safety Code) and NFPA 70-NEC.

WARRANTY — 5-year limited warranty. (Battery is prorated). Complete warranty terms located at: www.AcuityBrands.com/CustomerResources/Terms_and_Conditions.aspx.

Note: Actual performance may differ as a result of end-user environment and application.

All values are design or typical values, measured under laboratory conditions at 25 °C.

Specifications subject to change without notice.

LED Wet Location Emergency Light / Exit Combo

WLTC



ORDERING INFORMATION

Lead times will vary depending on options selected. Consult with your sales representative.

Example: WLTC 1 R SD

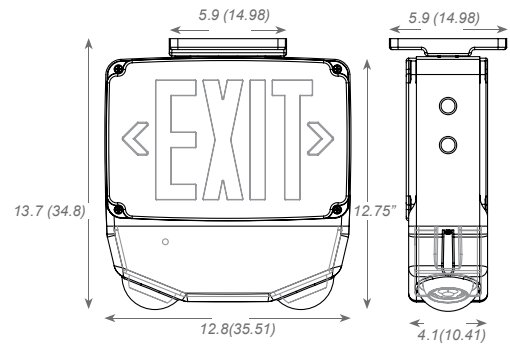
Series	Housing Color	Number of Faces	Letter color	Options
WLTC LED Wet Location Combo	(Blank) White	1 Single Face	R Red	SD Self-Diagnostics
	B Black	2 Double Face	G Green	TPS Tamperproof Screw Hardware CW Cold Weather

WLTC LED Wet Location Emergency Light / Exit Combo

SPECIFICATIONS

	Electrical Primary Circuit ¹			
	Input Watts (W)		Input Amps (A)	
	120V	277V	120V	277V
WLTC	5.7	5.7	0.057	0.024
WLTC CW	5.7	5.7	0.057	0.024
WLTC SD	7	7	0.063	0.03
WLTC TPS	5.7	5.7	0.057	0.024
WLTC SD CW	7	7	0.063	0.03
WLTC TPS CW	5.7	5.7	0.057	0.024
WLTC SD TPS CW	7	7	0.063	0.03

MOUNTING



Specifications

Length: 12-3/8"
 Depth: 5-15/16"
 Height: 13-11/16"

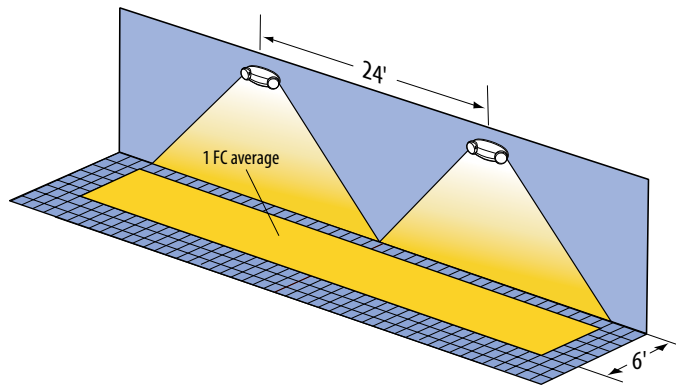
All dimensions are inches (centimeters) unless otherwise indicated.

BATTERY

Ni-Cad					
Voltage	Options	Typical Shelf life ²	Typical life ²	Maintenance ³	Temperature range ^{4,5}
6V	STD	3 years	7-9 years	none	32-122°F (0-50°C)
	CW				-4°F to 122°F (-20°C to 50°C)

- Based on continuous operation. The typical life the LED lamp is 10 years.
- At 77°F (25°C).
- All life safety equipment, including emergency lighting path of egress, must be maintained, serviced and tested in accordance with all National Fire Protection Association and local codes. Failure to perform the required maintenance, service or testing could jeopardize the safety of occupants and will void all warranties.
- Optimum ambient temperature range where unit will provide capacity for 90 minutes. Higher and lower temperatures affect life and capacity.
- Battery life is negatively impacted by many variables including temperature, charging rates, number of cycles and deep discharges due to long periods of time without AC power.

LAMP PHOTOMETRICS



Example of multiple WLTC exit/unit combos illuminating a 6' path of egress